

# Chapter 4

## Network Layer: The Data Plane

---



# Chapter 4: outline

## 4.1 Overview of Network layer

- data plane
- control plane

## 4.2 What's inside a router

## 4.3 IP: Internet Protocol

- datagram format
- fragmentation
- IPv4 addressing
- network address translation
- IPv6

## 4.4 Generalized Forward and SDN

- match
- action
- OpenFlow examples of match-plus-action in action

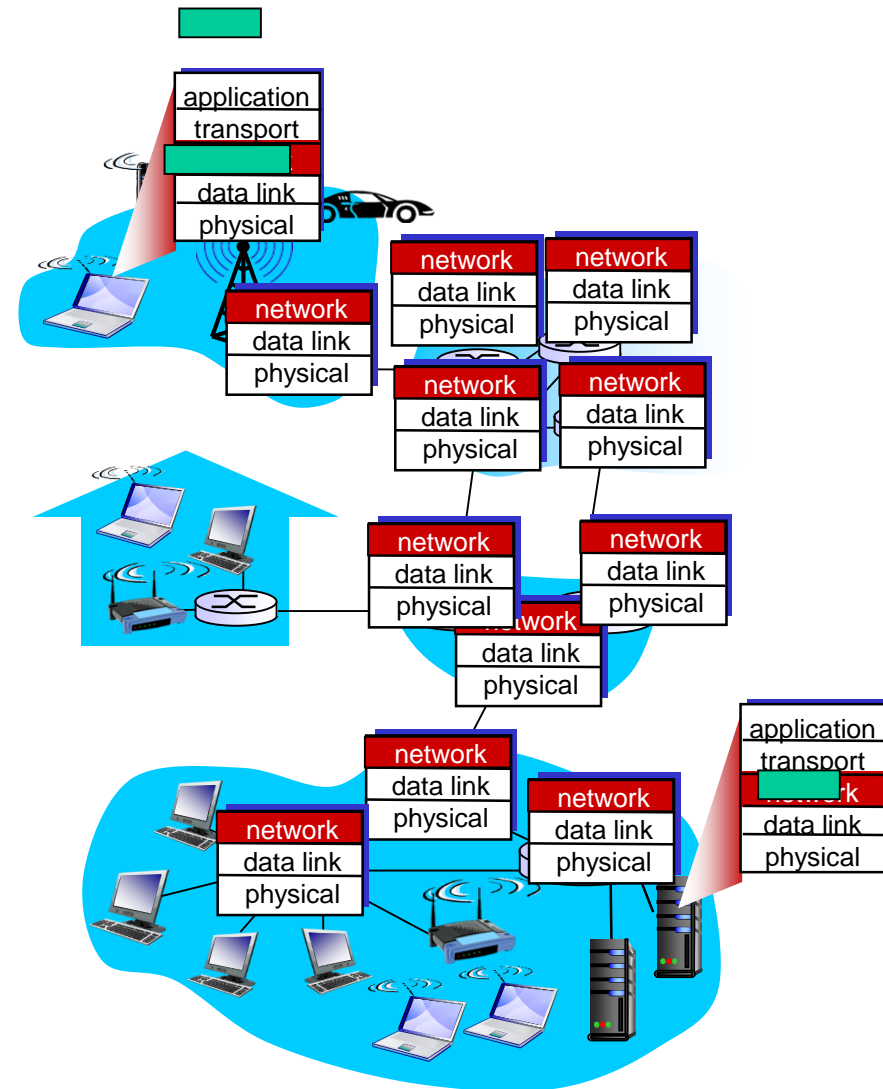
# Chapter 4: network layer

## *chapter goals:*

- understand principles behind network layer services, focusing on data plane:
  - network layer service models
  - forwarding versus routing
  - how a router works
  - generalized forwarding
- instantiation, implementation in the Internet

# Network layer

- transport segment from sending to receiving host
- on sending side encapsulates segments into datagrams
- on receiving side, delivers segments to transport layer
- network layer protocols in *every* host, router
- router examines header fields in all IP datagrams passing through it



# Two key network-layer functions

## *network-layer functions:*

- *forwarding*: move packets from router's input to appropriate router output
- *routing*: determine route taken by packets from source to destination
  - *routing algorithms*

## *analogy: taking a trip*

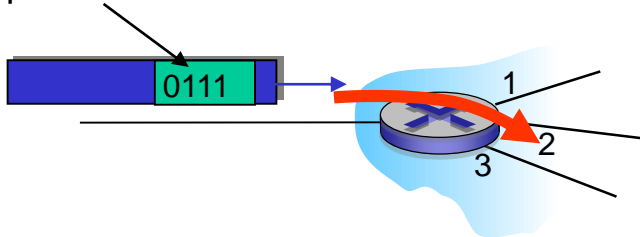
- *forwarding*: process of getting through single interchange
- *routing*: process of planning trip from source to destination

# Network layer: data plane, control plane

## *Data plane*

- local, per-router function
- determines how datagram arriving on router input port is forwarded to router output port
- forwarding function

values in arriving packet header

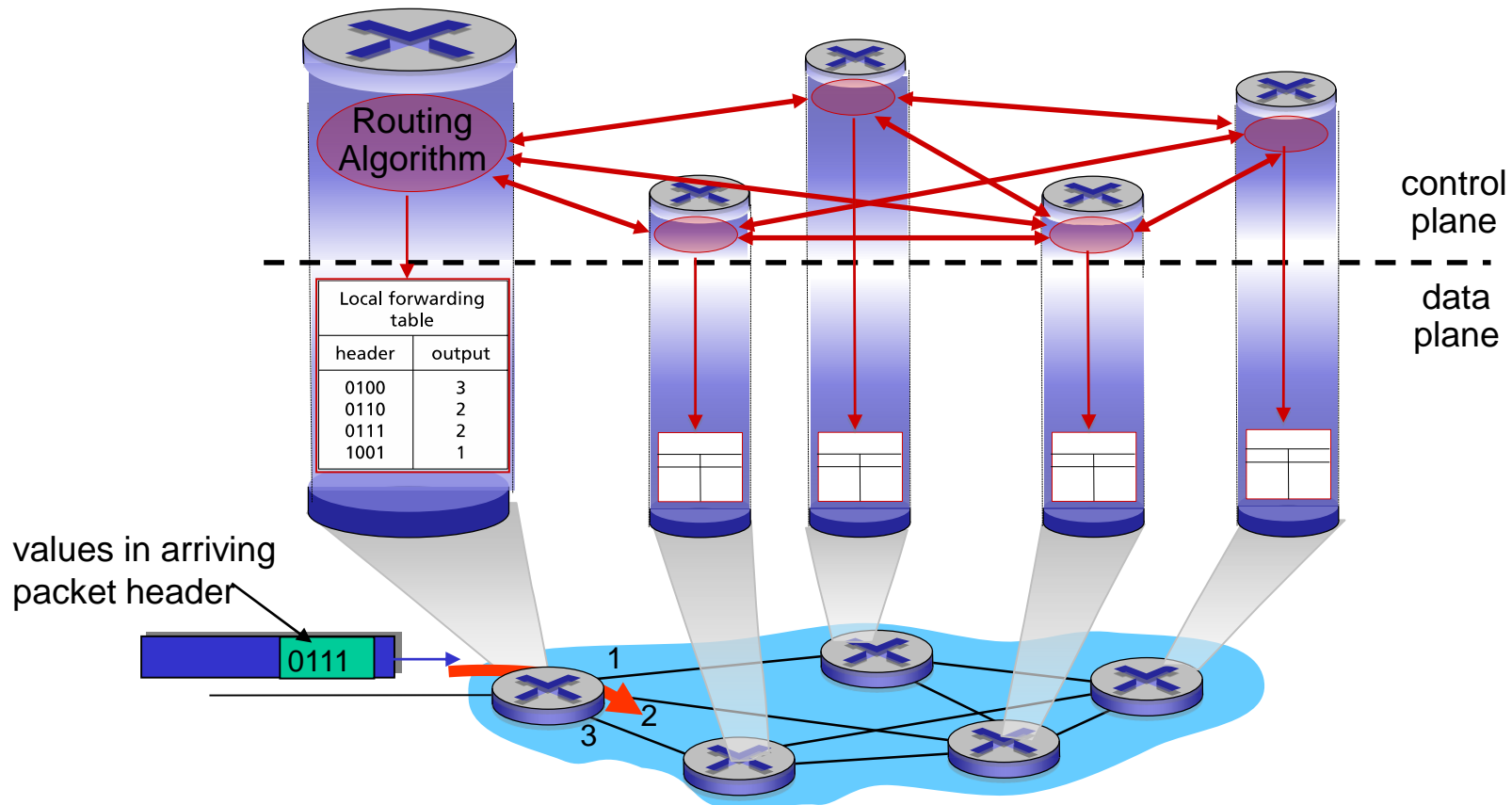


## *Control plane*

- network-wide logic
- determines how datagram is routed among routers along end-end path from source host to destination host
- two control-plane approaches:
  - *traditional routing algorithms*: implemented in routers
  - *software-defined networking (SDN)*: implemented in (remote) servers

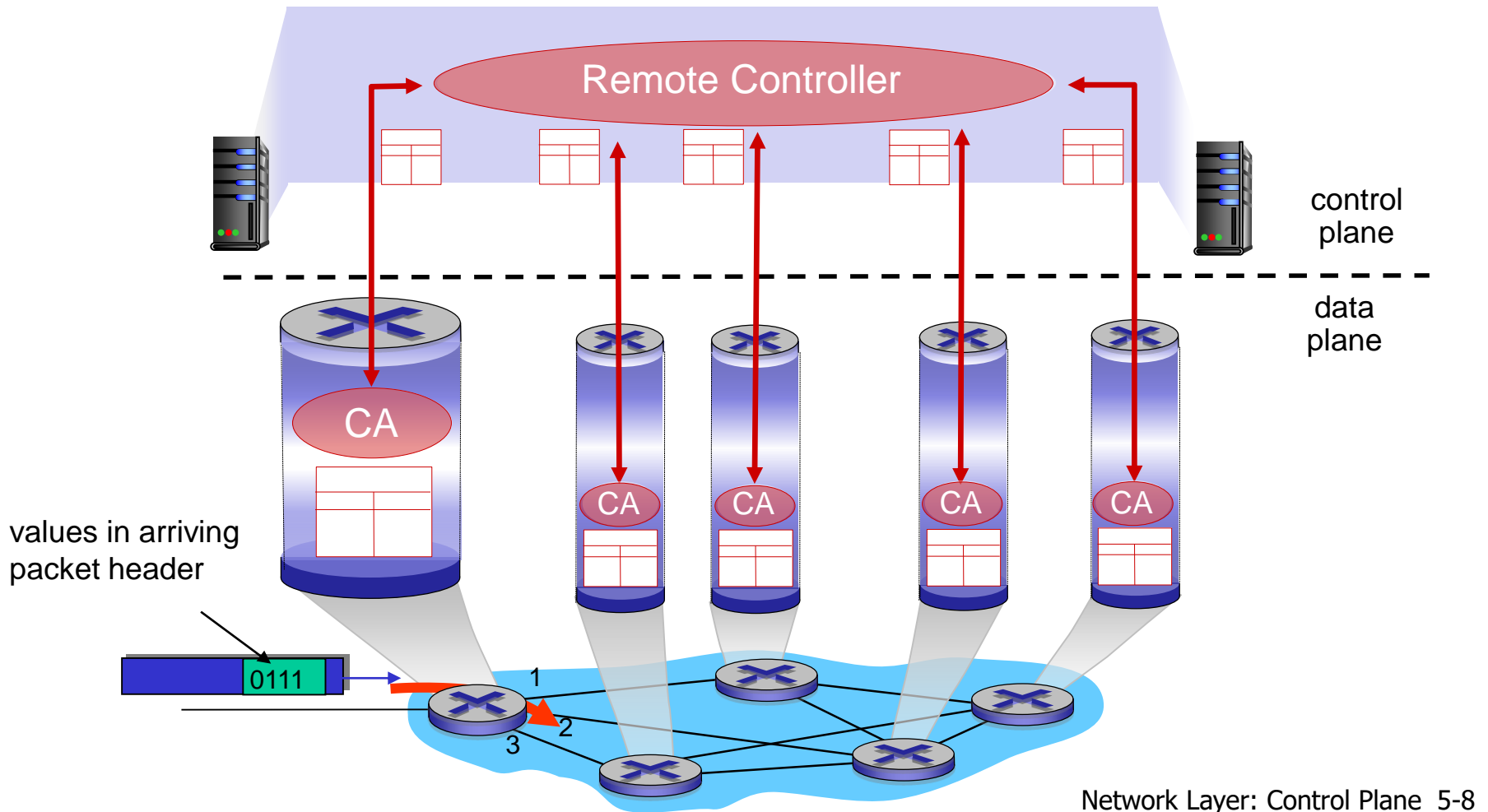
# Per-router control plane

Individual routing algorithm components *in each and every router* interact in the control plane



# Logically centralized control plane

A distinct (typically remote) controller interacts with local control agents (CAs)





# Network service model

*Q:* What *service model* for “channel” transporting datagrams from sender to receiver?

*example services for individual datagrams:*

- guaranteed delivery
- guaranteed delivery with less than 40 msec delay

*example services for a flow of datagrams:*

- in-order datagram delivery
- guaranteed minimum bandwidth to flow
- restrictions on changes in inter-packet spacing

# Network layer service models:

Network Architecture	Service Model	Guarantees ?				Congestion feedback
		Bandwidth	Loss	Order	Timing	
Internet	best effort	none	no	no	no	no (inferred via loss)
ATM	CBR	constant rate	yes	yes	yes	no congestion
ATM	VBR	guaranteed rate	yes	yes	yes	no congestion
ATM	ABR	guaranteed minimum	no	yes	no	yes
ATM	UBR	none	no	yes	no	no

# Chapter 4: outline

## 4.1 Overview of Network layer

- data plane
- control plane

## 4.2 What's inside a router

## 4.3 IP: Internet Protocol

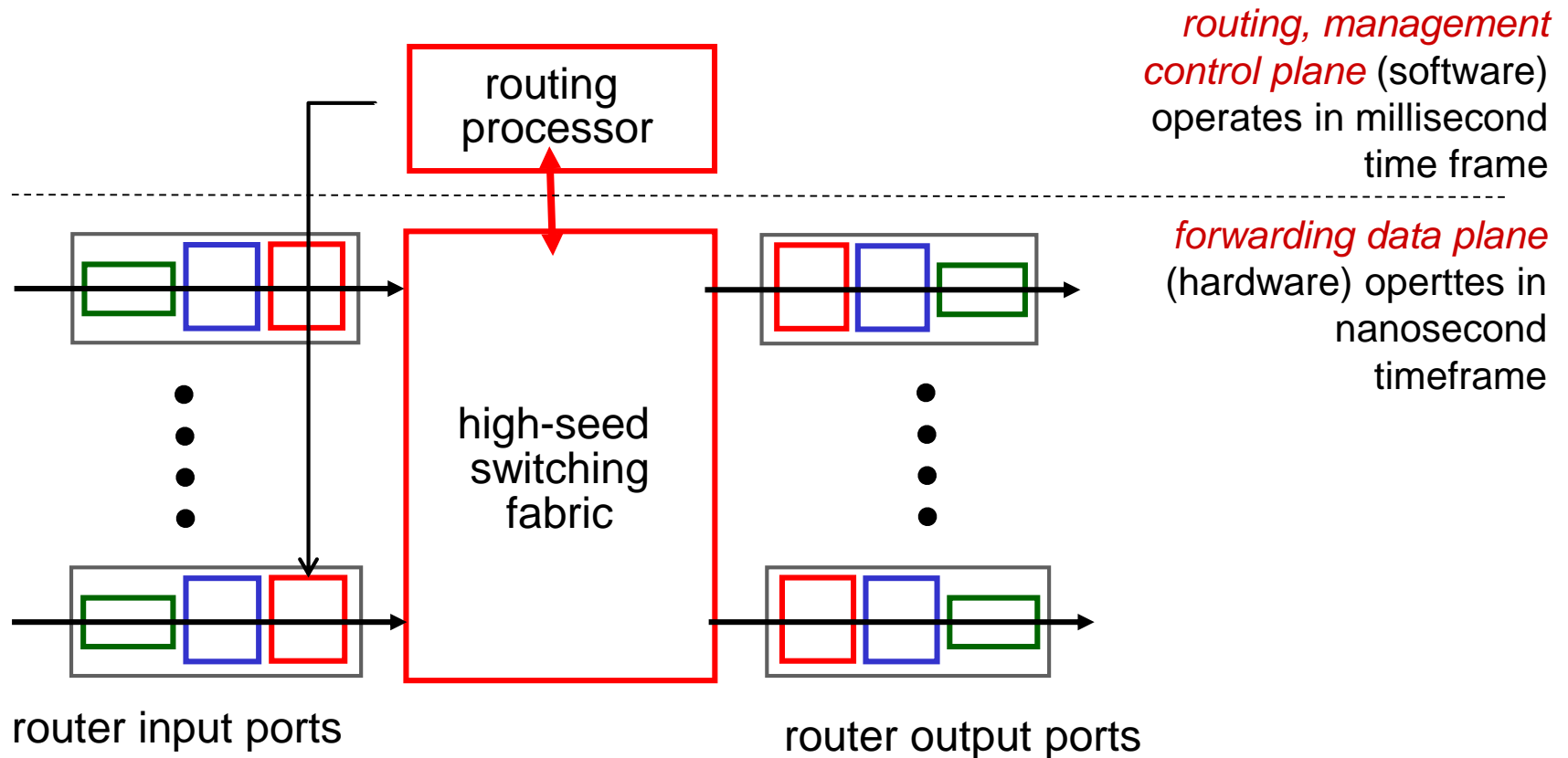
- datagram format
- fragmentation
- IPv4 addressing
- network address translation
- IPv6

## 4.4 Generalized Forward and SDN

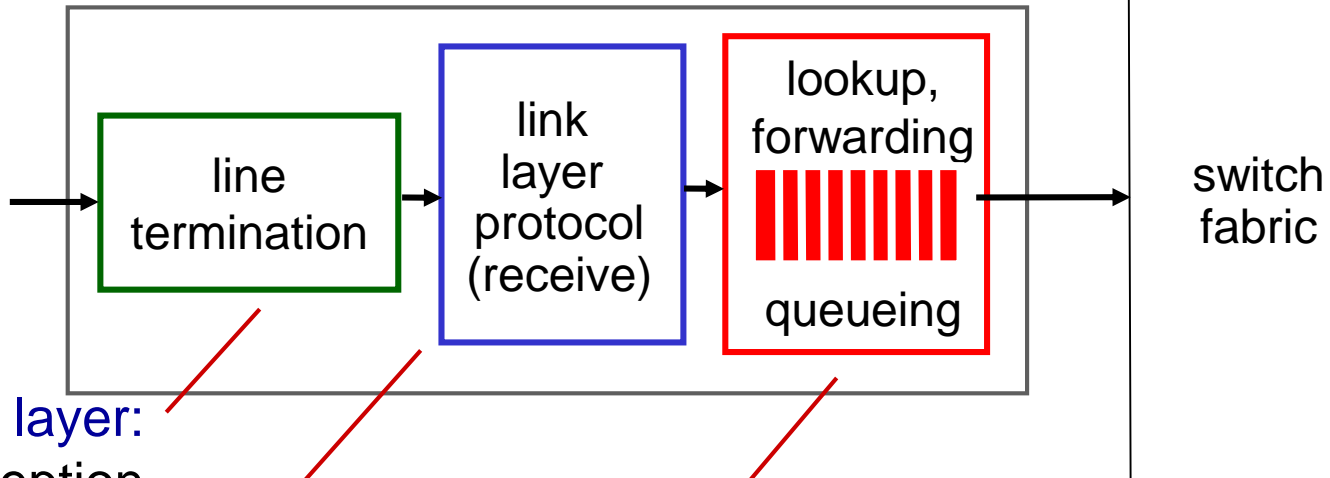
- match
- action
- OpenFlow examples of match-plus-action in action

# Router architecture overview

- high-level view of generic router architecture:



# Input port functions



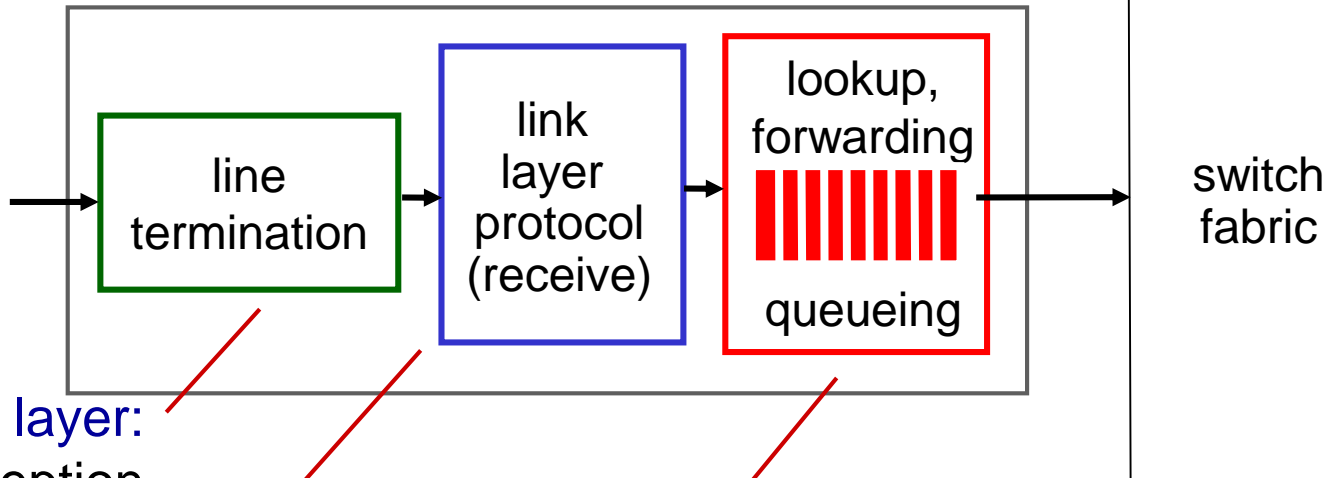
physical layer:  
bit-level reception

data link layer:  
e.g., Ethernet  
see chapter 5

## decentralized switching:

- using header field values, lookup output port using forwarding table in input port memory (“*match plus action*”)
- goal: complete input port processing at ‘line speed’
- queuing: if datagrams arrive faster than forwarding rate into switch fabric

# Input port functions



physical layer:  
bit-level reception

data link layer:  
e.g., Ethernet  
see chapter 5

## decentralized switching:

- using header field values, lookup output port using forwarding table in input port memory (“*match plus action*”)
- ***destination-based forwarding***: forward based only on destination IP address (traditional)
- ***generalized forwarding***: forward based on any set of header field values

# Destination-based forwarding

*forwarding table*

Destination Address Range	Link Interface
11001000 00010111 00010000 00000000 through 11001000 00010111 00010111 11111111	0
11001000 00010111 00011000 00000000 through 11001000 00010111 00011000 11111111	1
11001000 00010111 00011001 00000000 through 11001000 00010111 00011111 11111111	2
otherwise	3

**Q:** but what happens if ranges don't divide up so nicely?

# Longest prefix matching

## *longest prefix matching*

when looking for forwarding table entry for given destination address, use *longest* address prefix that matches destination address.

Destination Address Range	Link interface
11001000 00010111 00010*** *****	0
11001000 00010111 00011000 *****	1
11001000 00010111 00011*** *****	2
otherwise	3

examples:

DA: 11001000 00010111 00010110 10100001

which interface?

DA: 11001000 00010111 00011000 10101010

which interface?

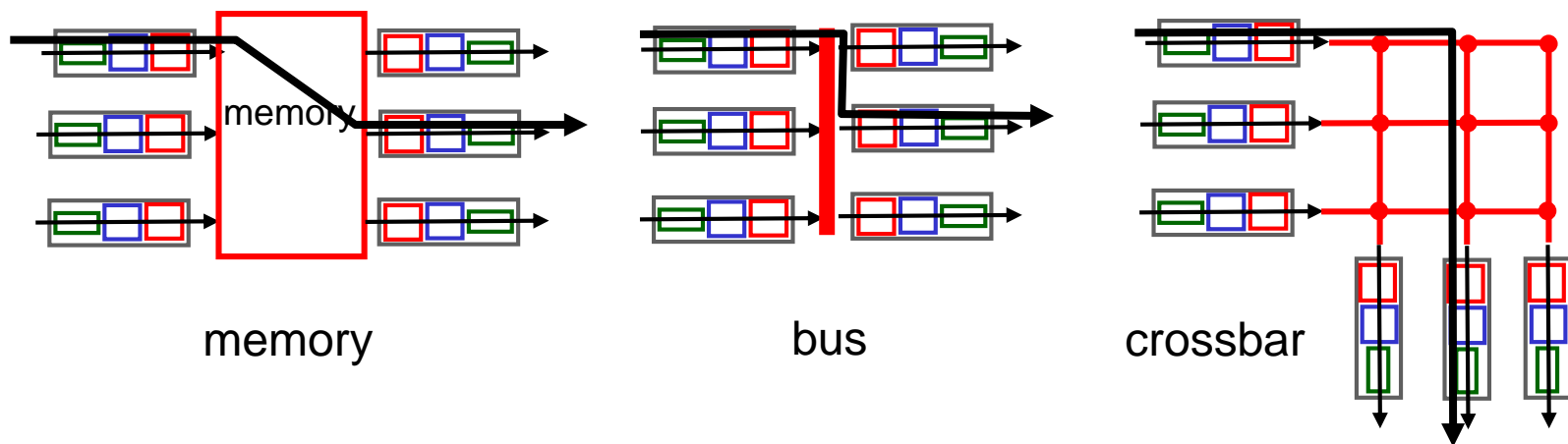


# Longest prefix matching

- we'll see *why* longest prefix matching is used shortly, when we study addressing
- longest prefix matching: often performed using ternary content addressable memories (TCAMs)
  - *content addressable*: present address to TCAM: retrieve address in one clock cycle, regardless of table size
  - Cisco Catalyst: can up ~1M routing table entries in TCAM

# Switching fabrics

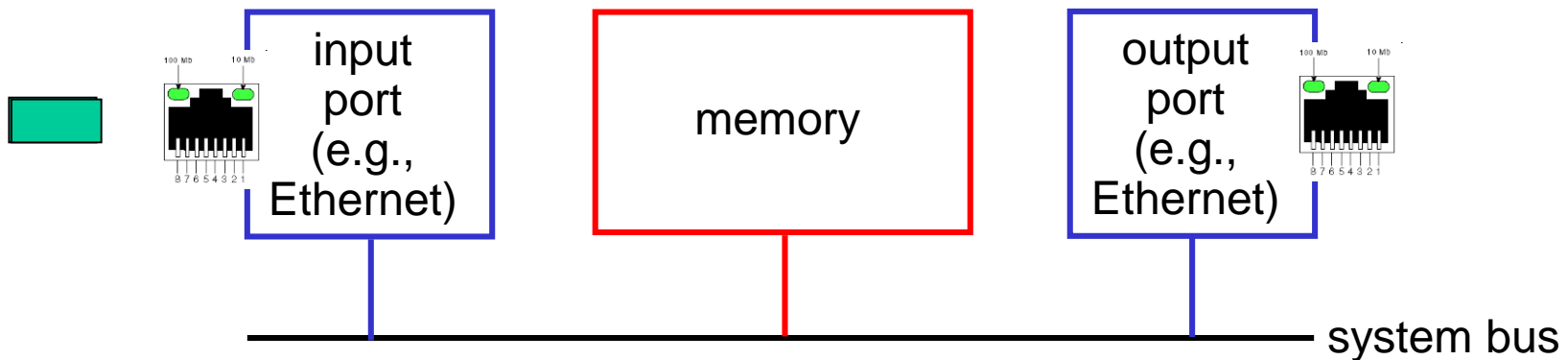
- transfer packet from input buffer to appropriate output buffer
- switching rate: rate at which packets can be transfer from inputs to outputs
  - often measured as multiple of input/output line rate
  - N inputs: switching rate N times line rate desirable
- three types of switching fabrics



# Switching via memory

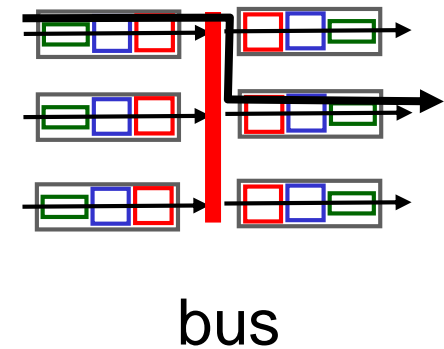
## *first generation routers:*

- traditional computers with switching under direct control of CPU
- packet copied to system's memory
- speed limited by memory bandwidth (2 bus crossings per datagram)



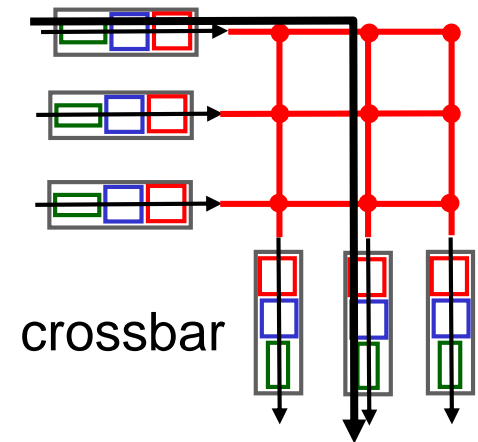
# Switching via a bus

- datagram from input port memory to output port memory via a shared bus
- *bus contention*: switching speed limited by bus bandwidth
- 32 Gbps bus, Cisco 5600: sufficient speed for access and enterprise routers



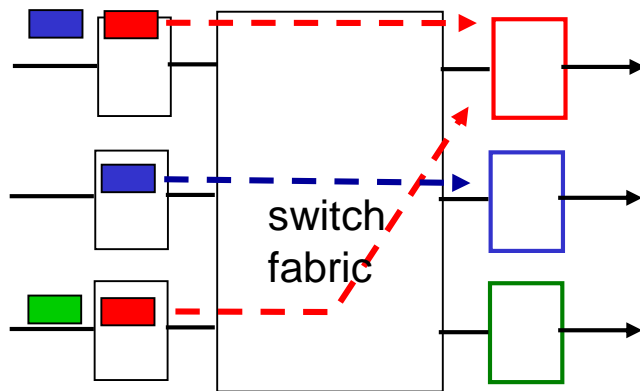
# Switching via interconnection network

- overcome bus bandwidth limitations
- banyan networks, crossbar, other interconnection nets initially developed to connect processors in multiprocessor
- advanced design: fragmenting datagram into fixed length cells, switch cells through the fabric.
- Cisco I2000: switches 60 Gbps through the interconnection network

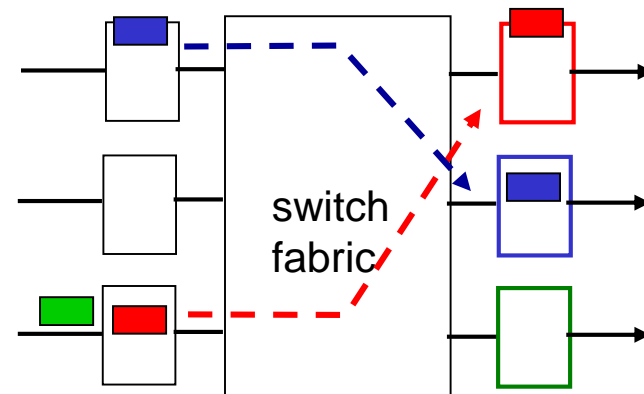


# Input port queuing

- fabric slower than input ports combined -> queuing may occur at input queues
  - *queueing delay and loss due to input buffer overflow!*
- **Head-of-the-Line (HOL) blocking:** queued datagram at front of queue prevents others in queue from moving forward



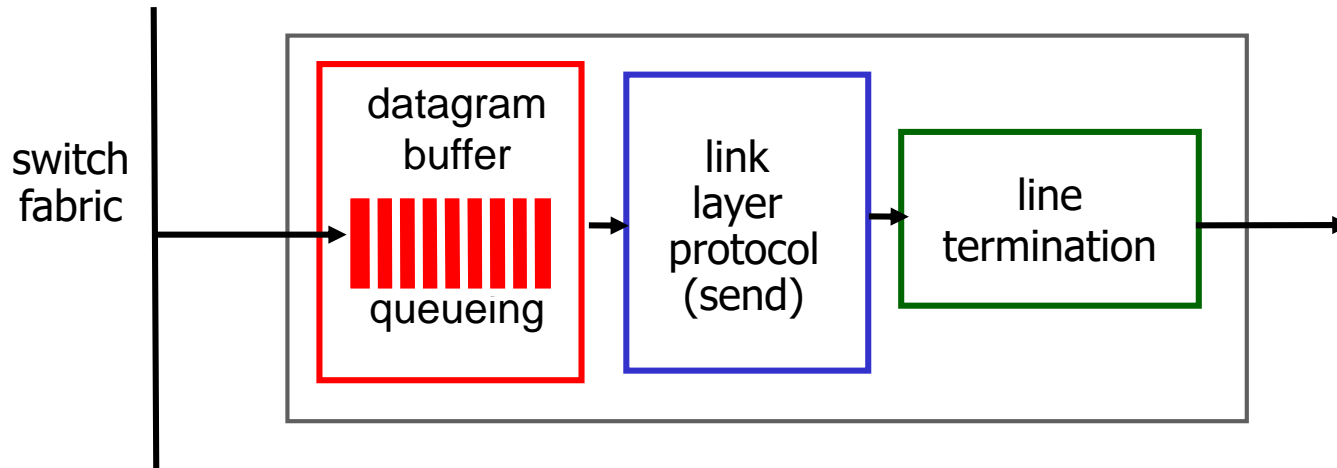
output port contention:  
only one red datagram can be  
transferred.  
*lower red packet is blocked*



one packet time later:  
green packet  
experiences HOL  
blocking

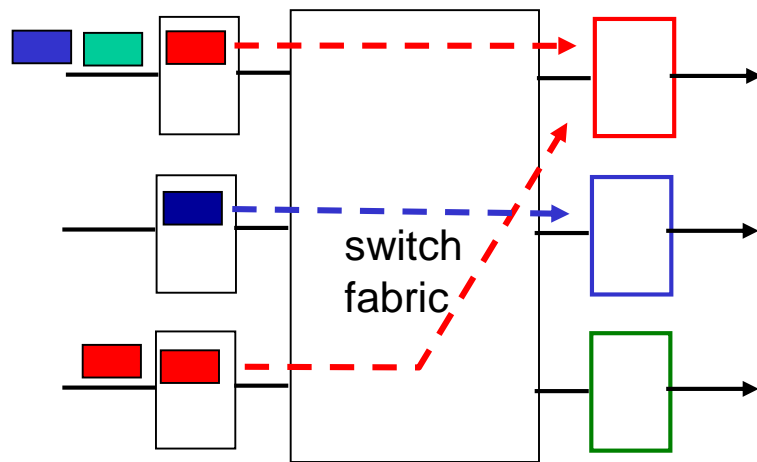
# Output ports

*This slide is HUGELY important!*

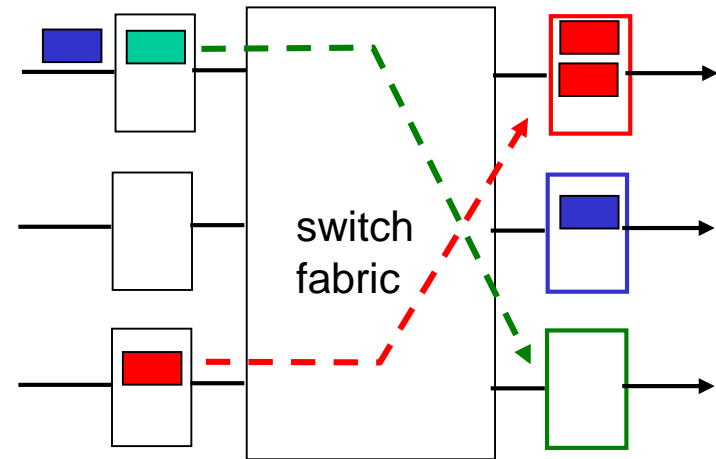


- **buffering** required from fabric faster rate  
Datagram (packets) can be lost due to congestion, lack of buffers
- **scheduling** datagrams  
Priority scheduling – who gets best performance, network neutrality

# Output port queueing



at  $t$ , packets more  
from input to output



one packet time later

- buffering when arrival rate via switch exceeds output line speed
- *queueing (delay) and loss due to output port buffer overflow!*



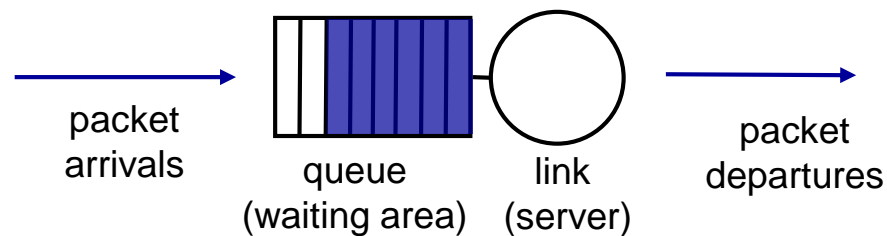
# How much buffering?

- RFC 3439 rule of thumb: average buffering equal to “typical” RTT (say 250 msec) times link capacity  $C$ 
  - e.g.,  $C = 10$  Gpbs link: 2.5 Gbit buffer
- recent recommendation: with  $N$  flows, buffering equal to

$$\frac{RTT \cdot C}{\sqrt{N}}$$

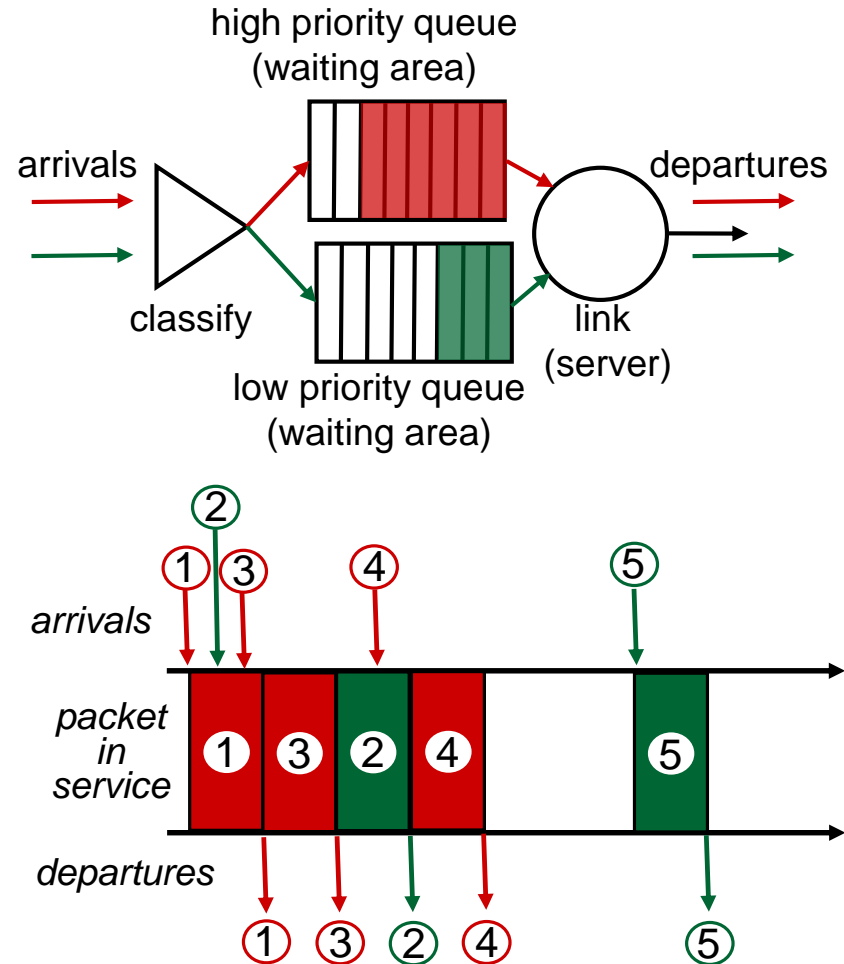
# Scheduling mechanisms

- *scheduling*: choose next packet to send on link
- *FIFO (first in first out) scheduling*: send in order of arrival to queue
  - real-world example?
  - *discard policy*: if packet arrives to full queue: who to discard?
    - *tail drop*: drop arriving packet
    - *priority*: drop/remove on priority basis
    - *random*: drop/remove randomly



# Scheduling policies: priority

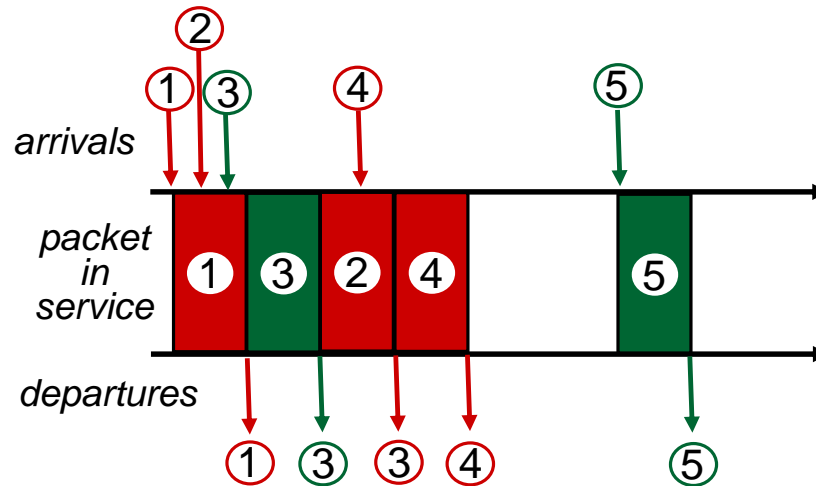
- priority scheduling*: send highest priority queued packet
- multiple *classes*, with different priorities
    - class may depend on marking or other header info, e.g. IP source/dest, port numbers, etc.
    - real world example?



# Scheduling policies: still more

## *Round Robin (RR) scheduling:*

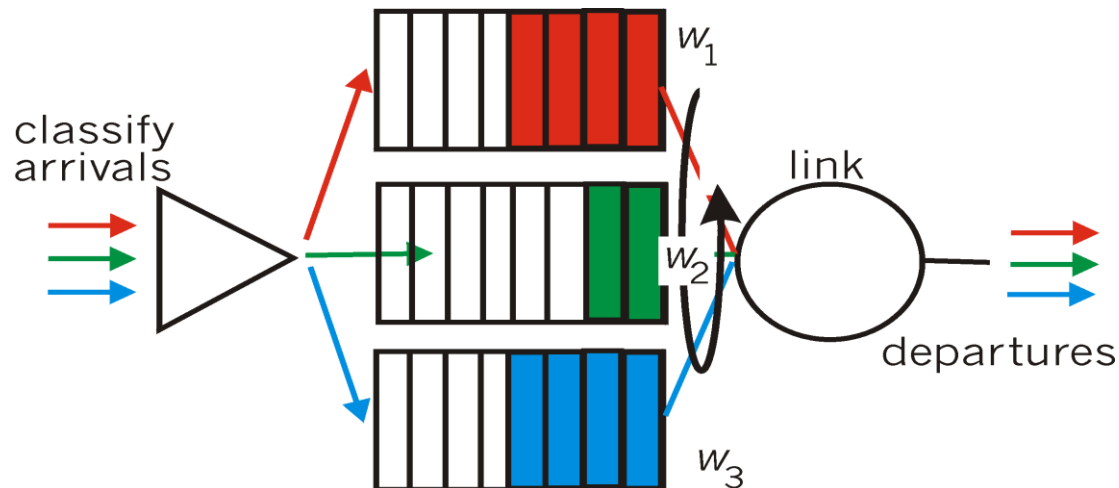
- multiple classes
- cyclically scan class queues, sending one complete packet from each class (if available)
- real world example?



# Scheduling policies: still more

## *Weighted Fair Queuing (WFQ):*

- generalized Round Robin
- each class gets weighted amount of service in each cycle
- real-world example?



# Chapter 4: outline

## 4.1 Overview of Network layer

- data plane
- control plane

## 4.2 What's inside a router

## 4.3 IP: Internet Protocol

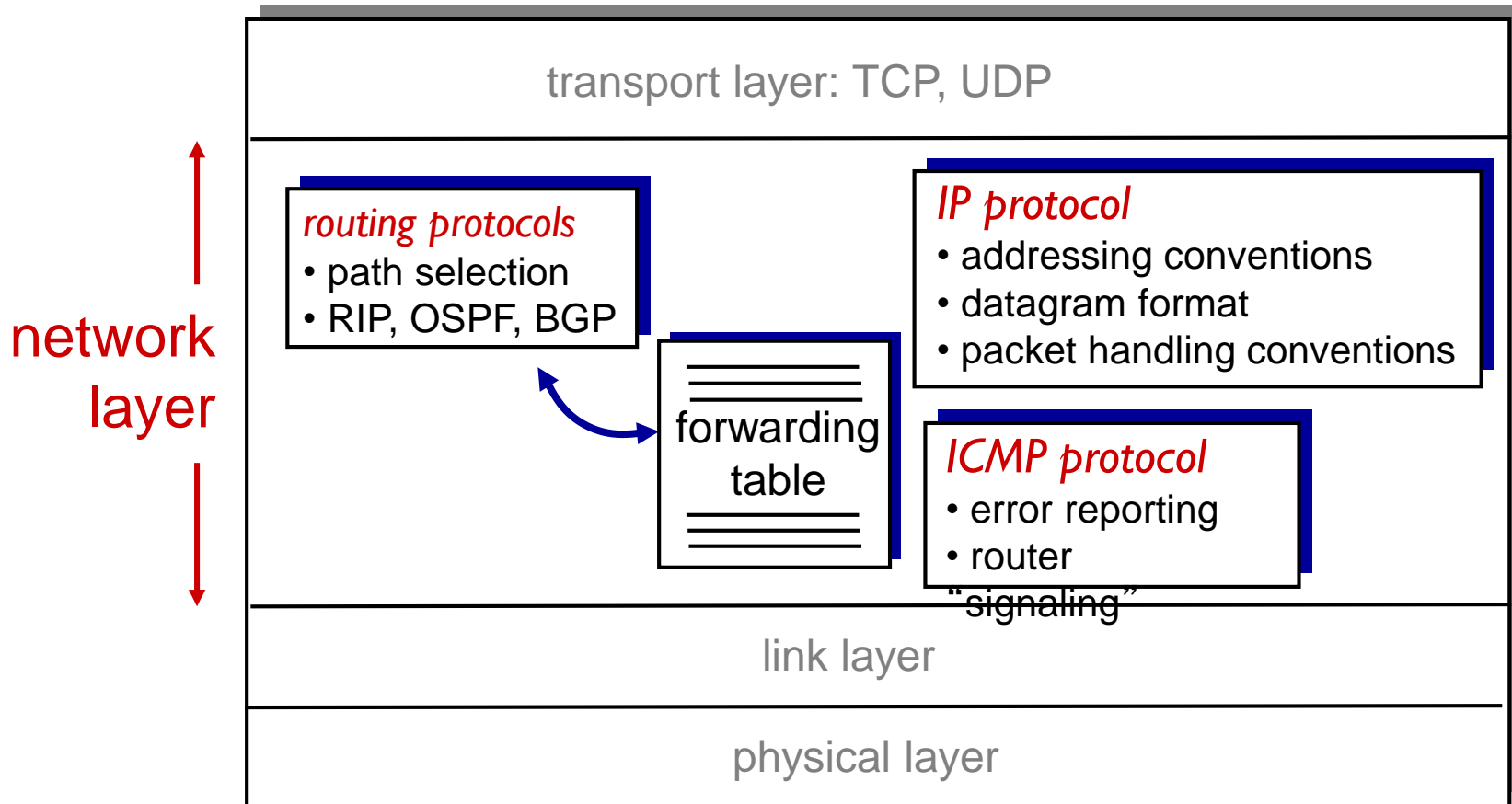
- datagram format
- fragmentation
- IPv4 addressing
- network address translation
- IPv6

## 4.4 Generalized Forward and SDN

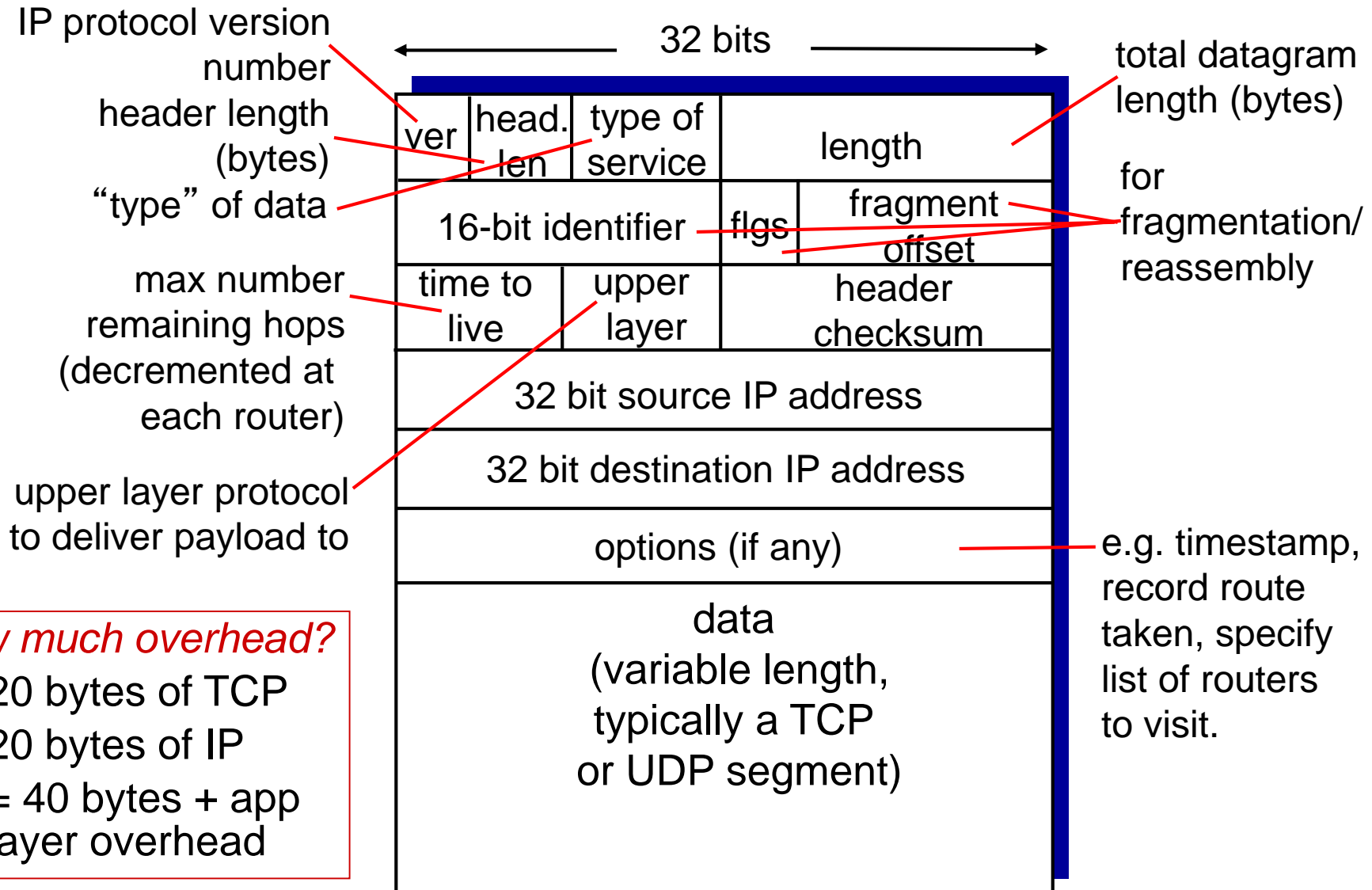
- match
- action
- OpenFlow examples of match-plus-action in action

# The Internet network layer

host, router network layer functions:



# IP datagram format



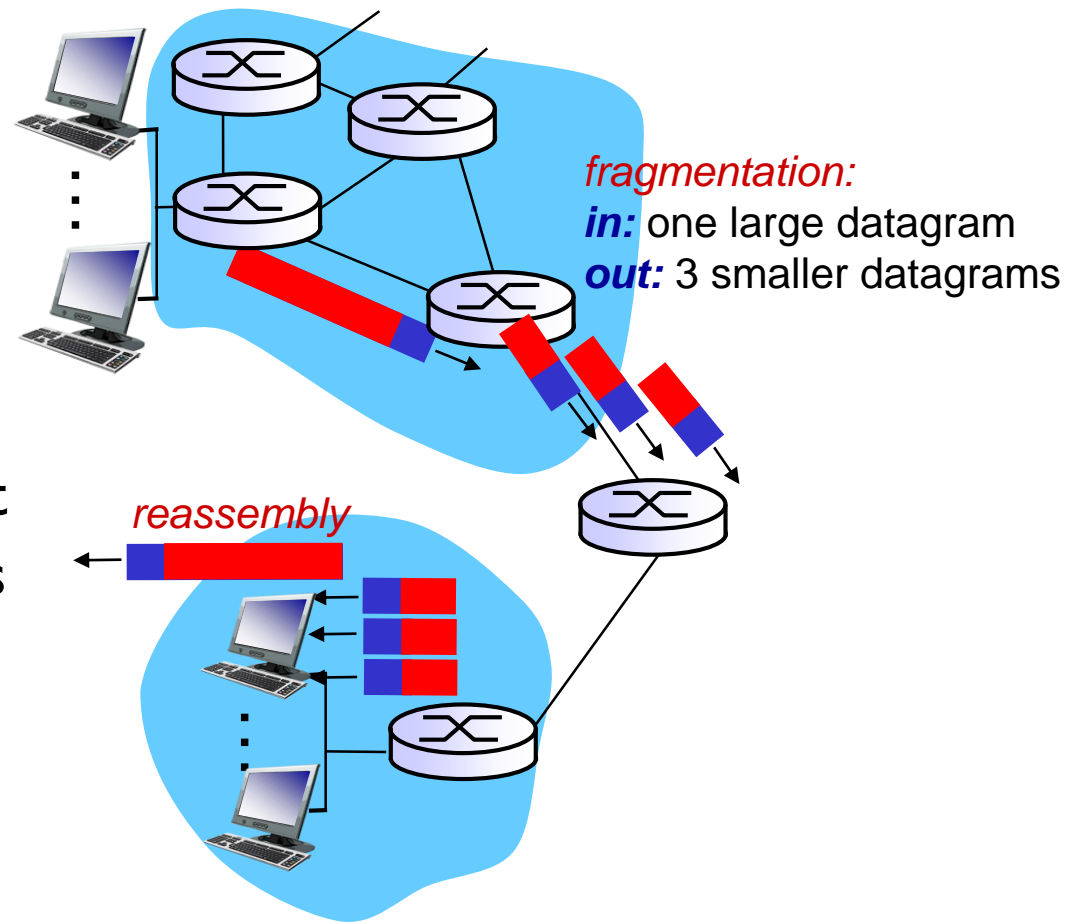
## how much overhead?

- ❖ 20 bytes of TCP
- ❖ 20 bytes of IP
- ❖ = 40 bytes + app layer overhead



# IP fragmentation, reassembly

- network links have MTU (max.transfer size) - largest possible link-level frame
  - different link types, different MTUs
- large IP datagram divided (“fragmented”) within net
  - one datagram becomes several datagrams
  - “reassembled” only at final destination
  - IP header bits used to identify, order related fragments



# IP fragmentation, reassembly

## example:

- ❖ 4000 byte datagram
- ❖ MTU = 1500 bytes

	length	ID	fragflag	offset	
	=4000	=x	=0	=0	

*one large datagram becomes several smaller datagrams*

1480 bytes in data field

offset =  
1480/8

	length	ID	fragflag	offset	
	=1500	=x	=1	=0	

	length	ID	fragflag	offset	
	=1500	=x	=1	=185	

	length	ID	fragflag	offset	
	=1040	=x	=0	=370	

# Chapter 4: outline

## 4.1 Overview of Network layer

- data plane
- control plane

## 4.2 What's inside a router

## 4.3 IP: Internet Protocol

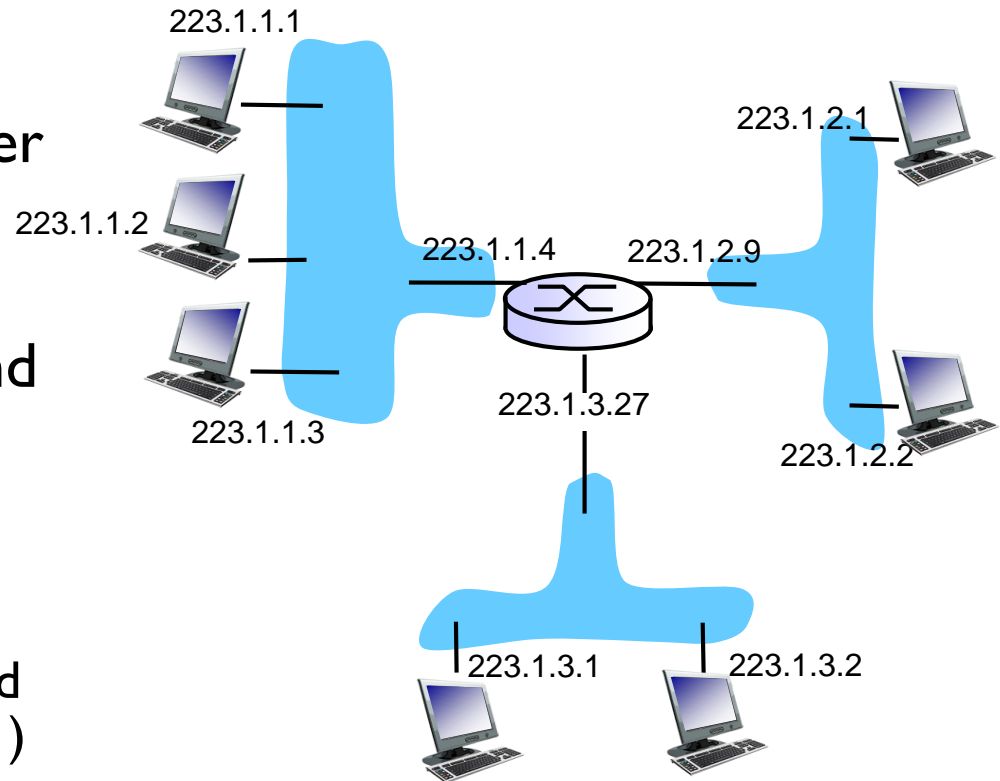
- datagram format
- fragmentation
- IPv4 addressing
- network address translation
- IPv6

## 4.4 Generalized Forward and SDN

- match
- action
- OpenFlow examples of match-plus-action in action

# IP addressing: introduction

- **IP address:** 32-bit identifier for host, router interface
- **interface:** connection between host/router and physical link
  - router's typically have multiple interfaces
  - host typically has one or two interfaces (e.g., wired Ethernet, wireless 802.11)
- **IP addresses associated with each interface**



$$223.1.1.1 = \underbrace{11011111}_{223} \underbrace{0000001}_{1} \underbrace{0000001}_{1} \underbrace{0000001}_{1}$$

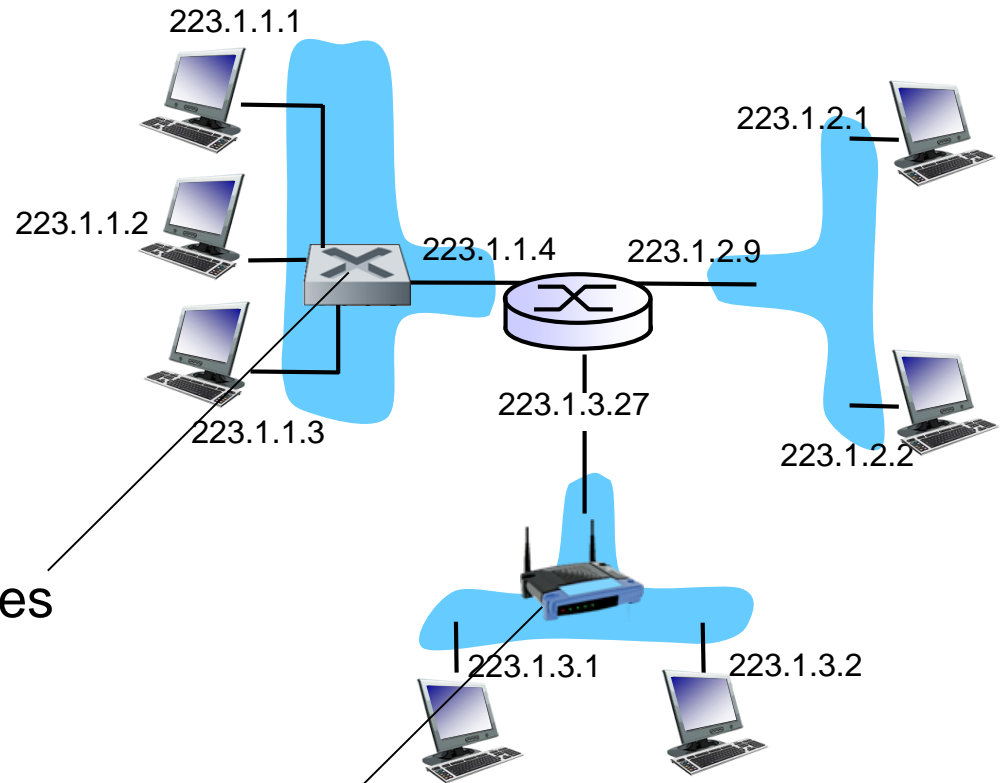
# IP addressing: introduction

**Q:** *how are interfaces actually connected?*

**A:** *we'll learn about that in chapter 5, 6.*

**A:** wired Ethernet interfaces connected by Ethernet switches

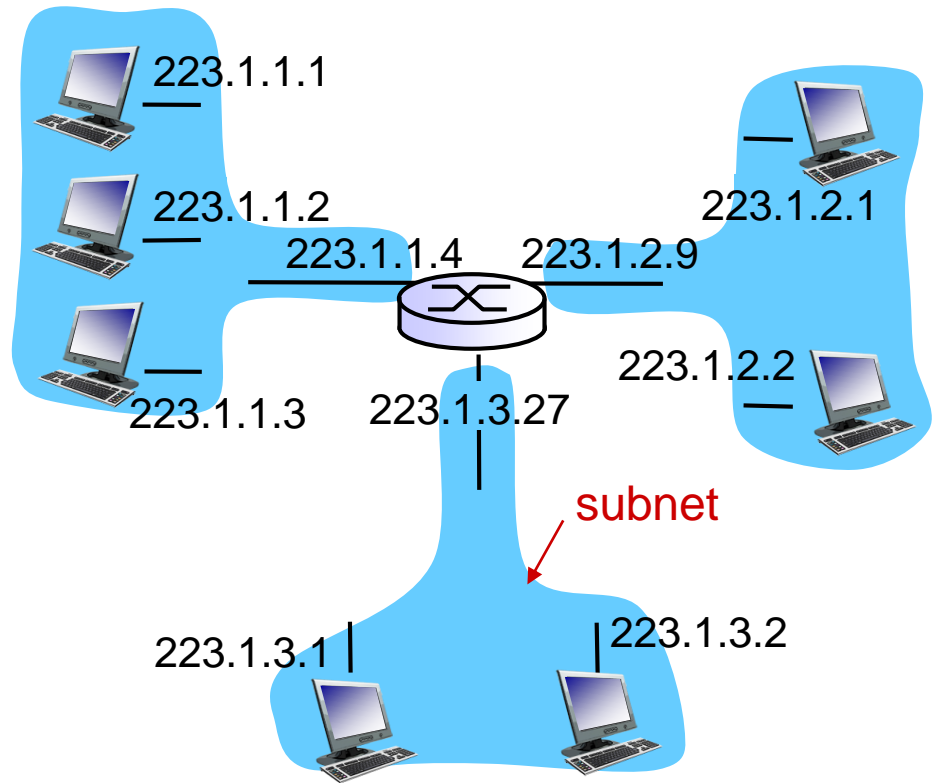
**For now:** don't need to worry about how one interface is connected to another (with no intervening router)



**A:** wireless WiFi interfaces connected by WiFi base station

# Subnets

- IP address:
  - subnet part - high order bits
  - host part - low order bits
- *what 's a subnet ?*
  - device interfaces with same subnet part of IP address
  - can physically reach each other *without intervening router*

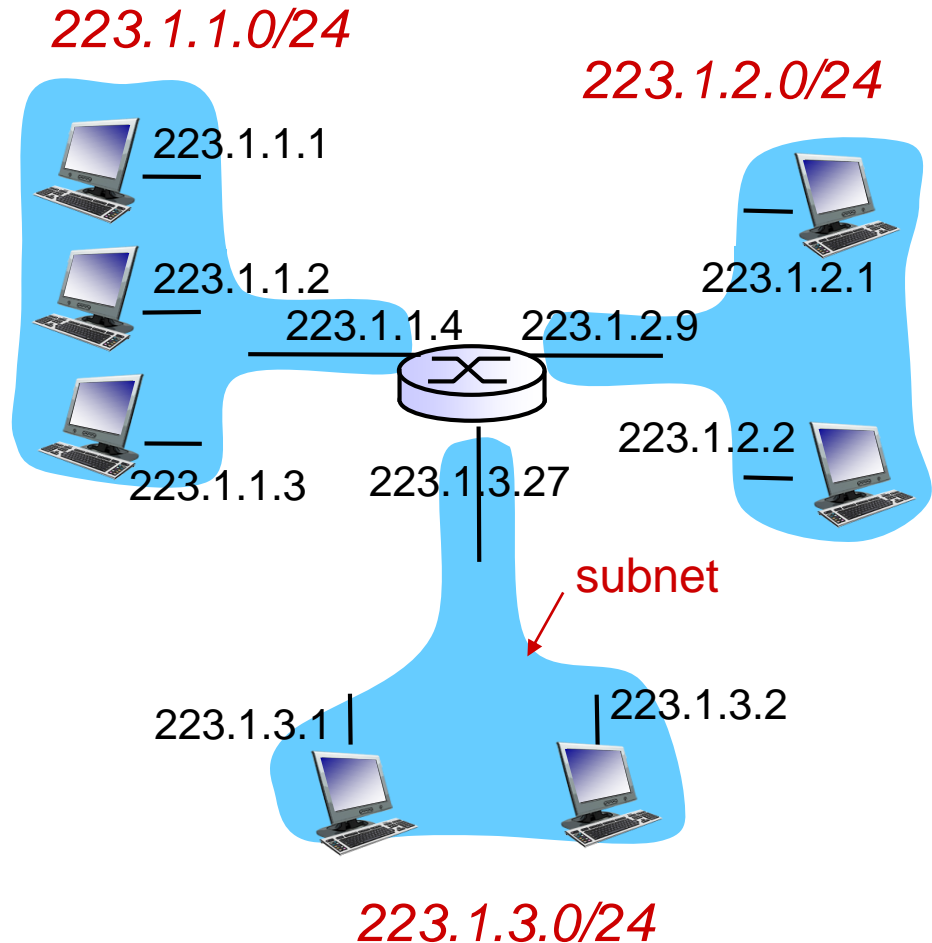


network consisting of 3 subnets

# Subnets

## recipe

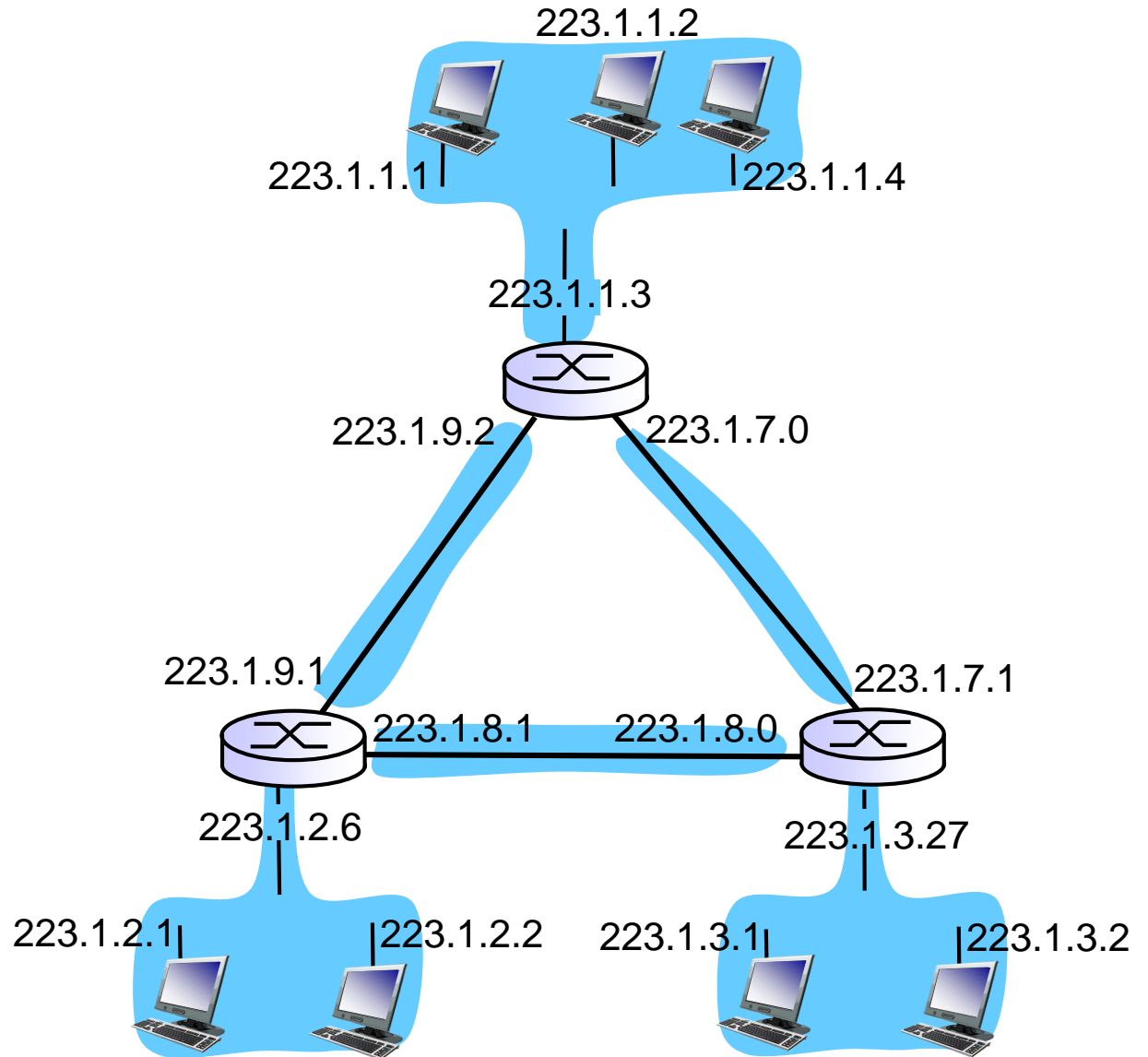
- to determine the subnets, detach each interface from its host or router, creating islands of isolated networks
- each isolated network is called a *subnet*



subnet mask: /24

# Subnets

how many?

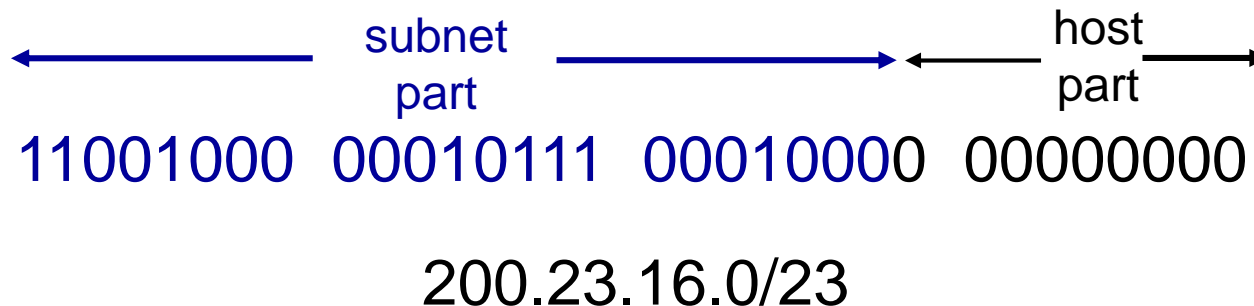




# IP addressing: CIDR

## CIDR: Classless InterDomain Routing

- subnet portion of address of arbitrary length
- address format: **a.b.c.d/x**, where x is # bits in subnet portion of address

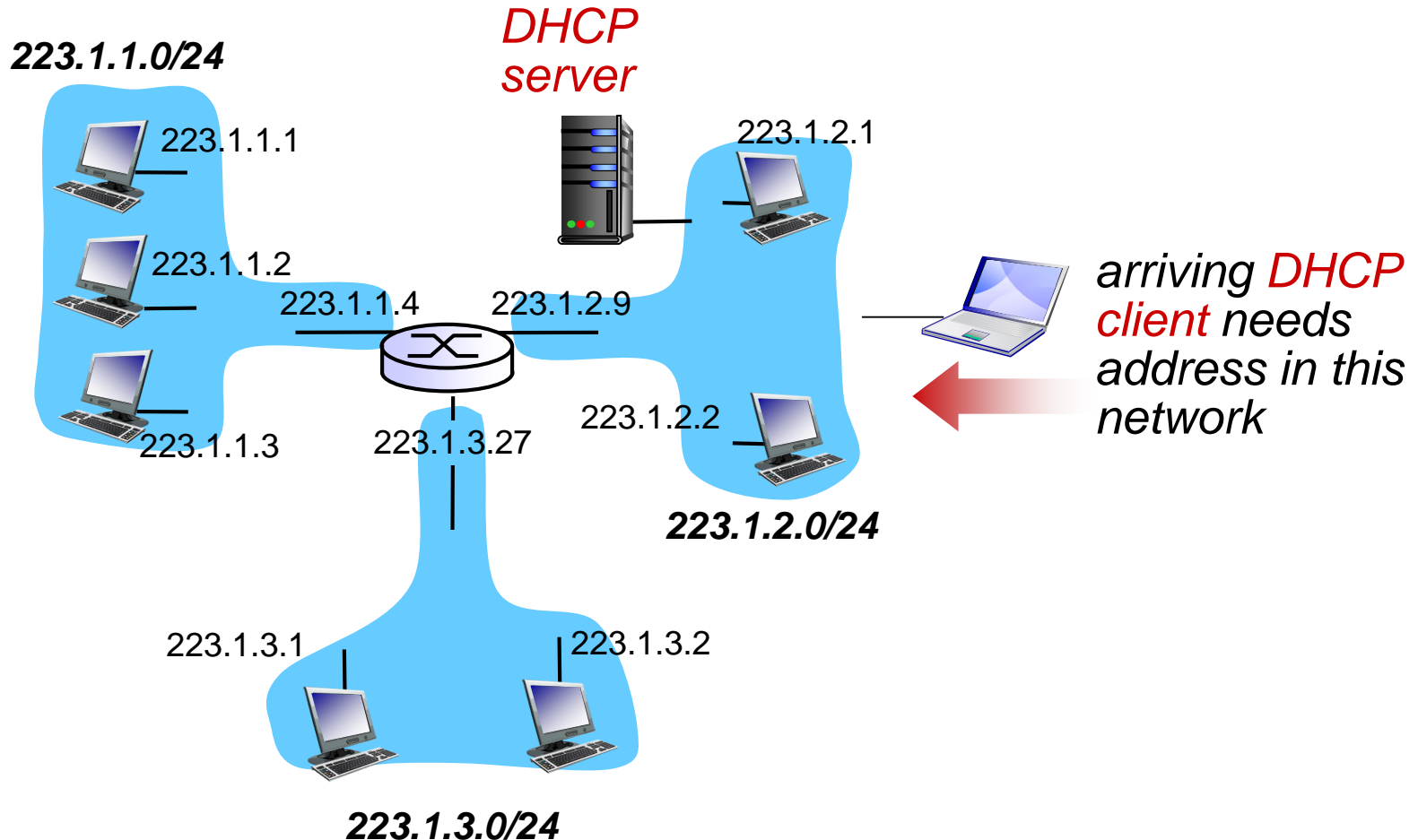


# IP addresses: how to get one?

**Q:** How does a *host* get IP address?

- hard-coded by system admin in a file
  - Windows: control-panel->network->configuration->tcp/ip->properties
  - UNIX: /etc/rc.config
- **DHCP: Dynamic Host Configuration Protocol:** dynamically get address from as server
  - “plug-and-play”

# DHCP client-server scenario



# DHCP client-server scenario

DHCP server: 223.1.2.5

DHCP discover

arriving  
client



Broadcast: is there a  
DHCP server out there?

DHCP offer

Broadcast: I'm a DHCP  
server! Here's an IP  
address you can use

DHCP request

Broadcast: OK. I'll take  
that IP address!

DHCP ACK

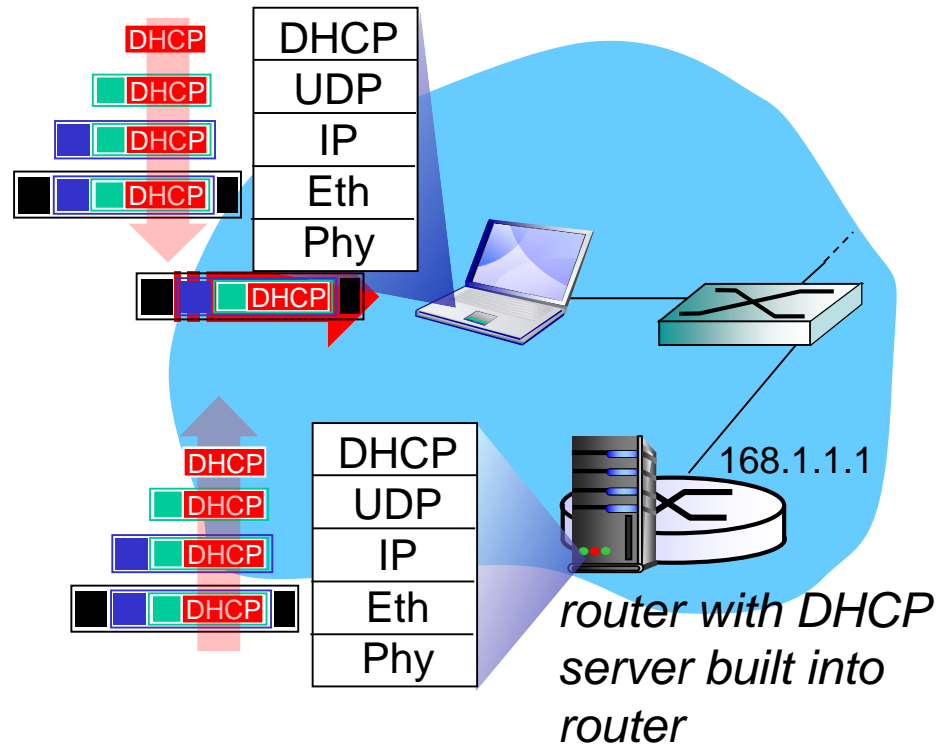
Broadcast: OK. You've  
got that IP address!

# DHCP: more than IP addresses

DHCP can return more than just allocated IP address on subnet:

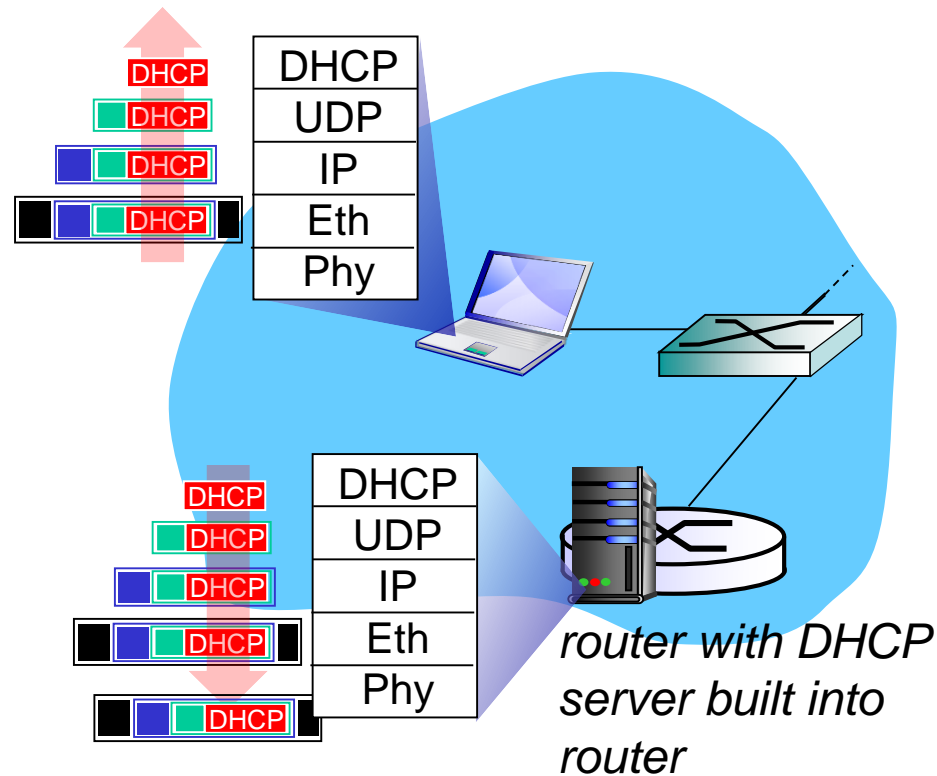
- address of first-hop router for client
- name and IP address of DNS sever
- network mask (indicating network versus host portion of address)

# DHCP: example



- connecting laptop needs its IP address, addr of first-hop router, addr of DNS server: use DHCP
- DHCP request encapsulated in UDP, encapsulated in IP, encapsulated in 802.1 Ethernet
- Ethernet frame broadcast (dest: FFFFFFFF) on LAN, received at router running DHCP server
- Ethernet demuxed to IP demuxed, UDP demuxed to DHCP

# DHCP: example



- DHCP server formulates DHCP ACK containing client's IP address, IP address of first-hop router for client, name & IP address of DNS server
- encapsulation of DHCP server, frame forwarded to client, demuxing up to DHCP at client
- client now knows its IP address, name and IP address of DSN server, IP address of its first-hop router

# IP addresses: how to get one?

**Q:** how does *network* get subnet part of IP addr?

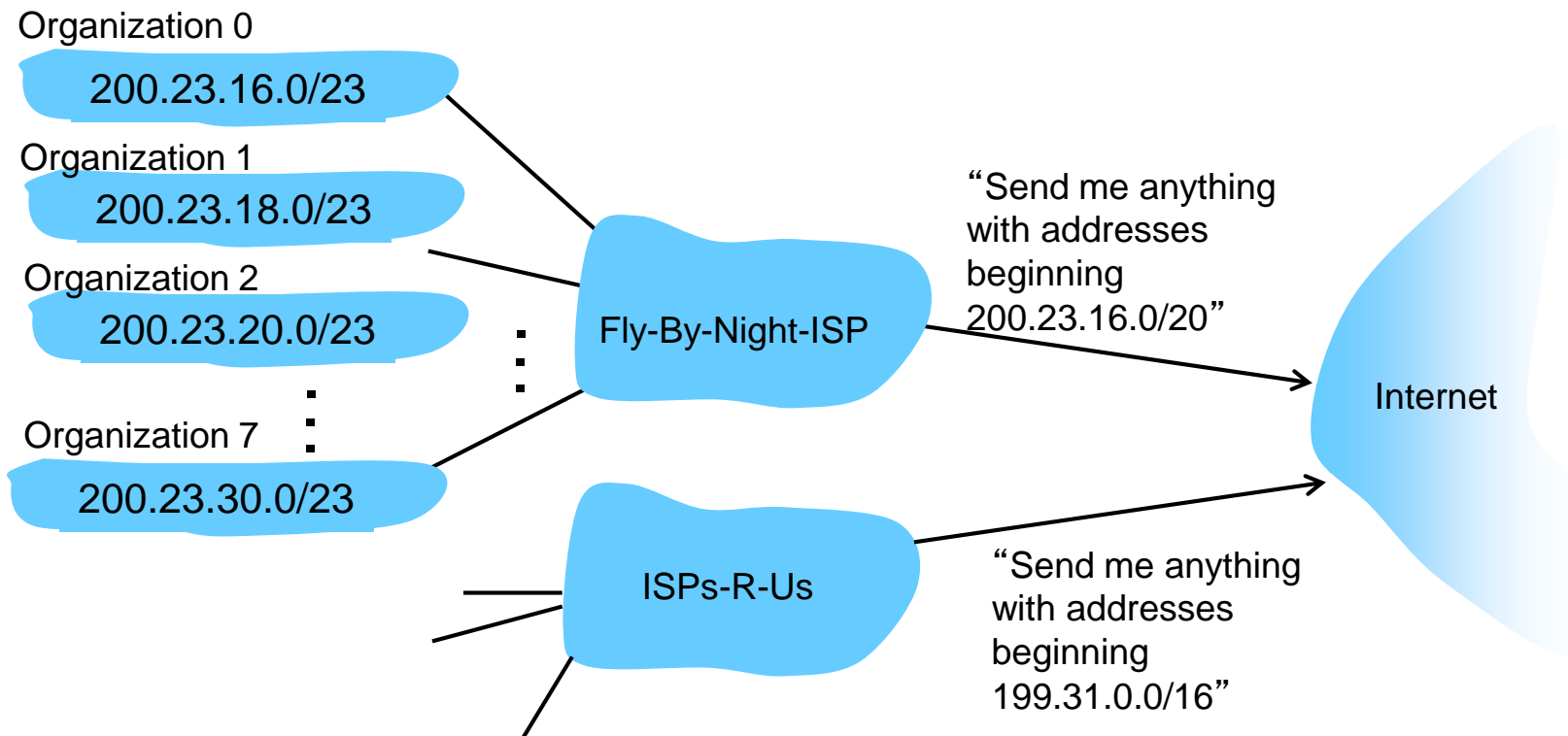
**A:** gets allocated portion of its provider ISP' s address space

ISP's block	<u>11001000</u>	<u>00010111</u>	<u>00010000</u>	00000000	200.23.16.0/20
Organization 0	<u>11001000</u>	<u>00010111</u>	<u>00010000</u>	00000000	200.23.16.0/23
Organization 1	<u>11001000</u>	<u>00010111</u>	<u>00010010</u>	00000000	200.23.18.0/23
Organization 2	<u>11001000</u>	<u>00010111</u>	<u>00010100</u>	00000000	200.23.20.0/23
...	.....			....	....
Organization 7	<u>11001000</u>	<u>00010111</u>	<u>00011110</u>	00000000	200.23.30.0/23



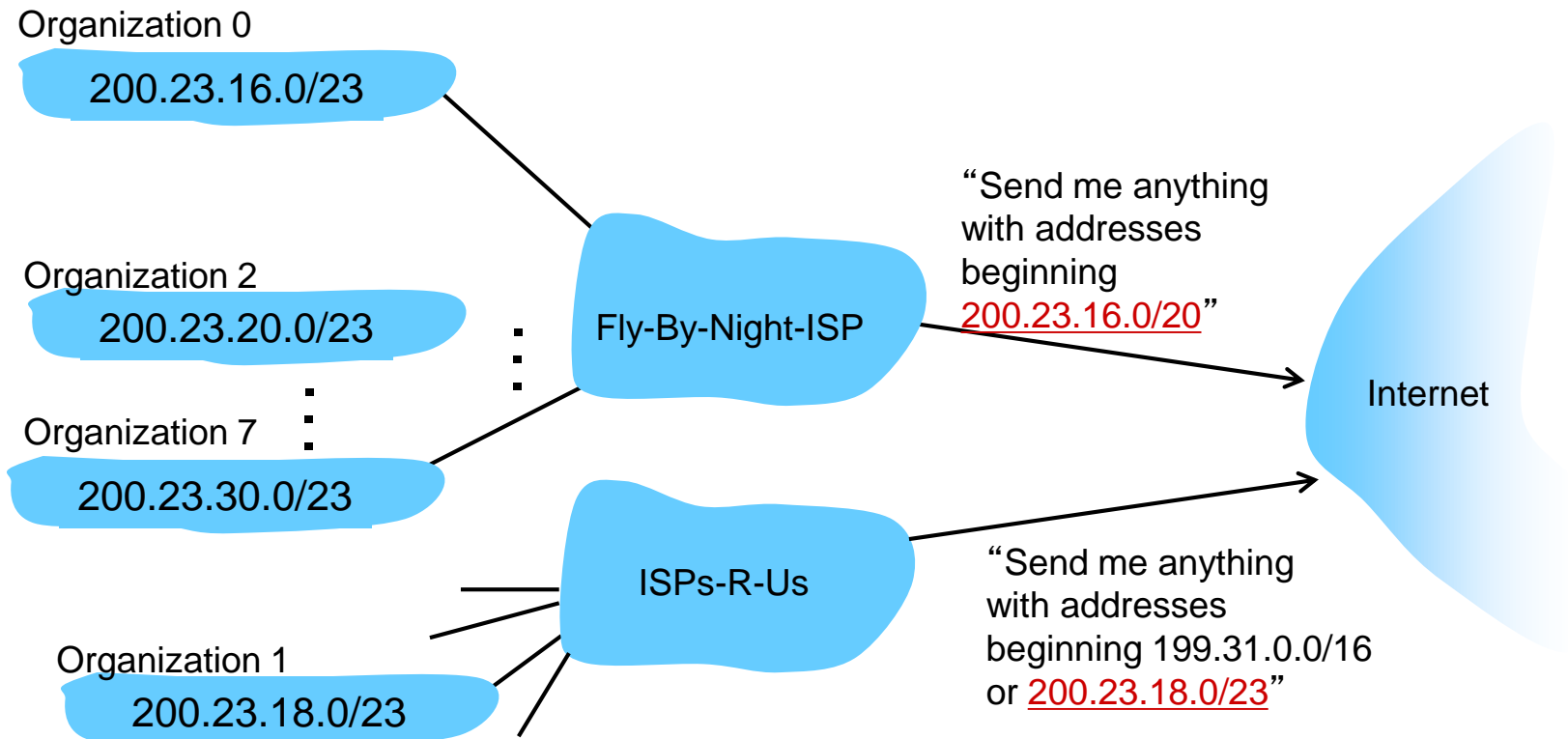
# Hierarchical addressing: route aggregation

hierarchical addressing allows efficient advertisement of routing information:



# Hierarchical addressing: more specific routes

ISPs-R-U's has a more specific route to Organization 1



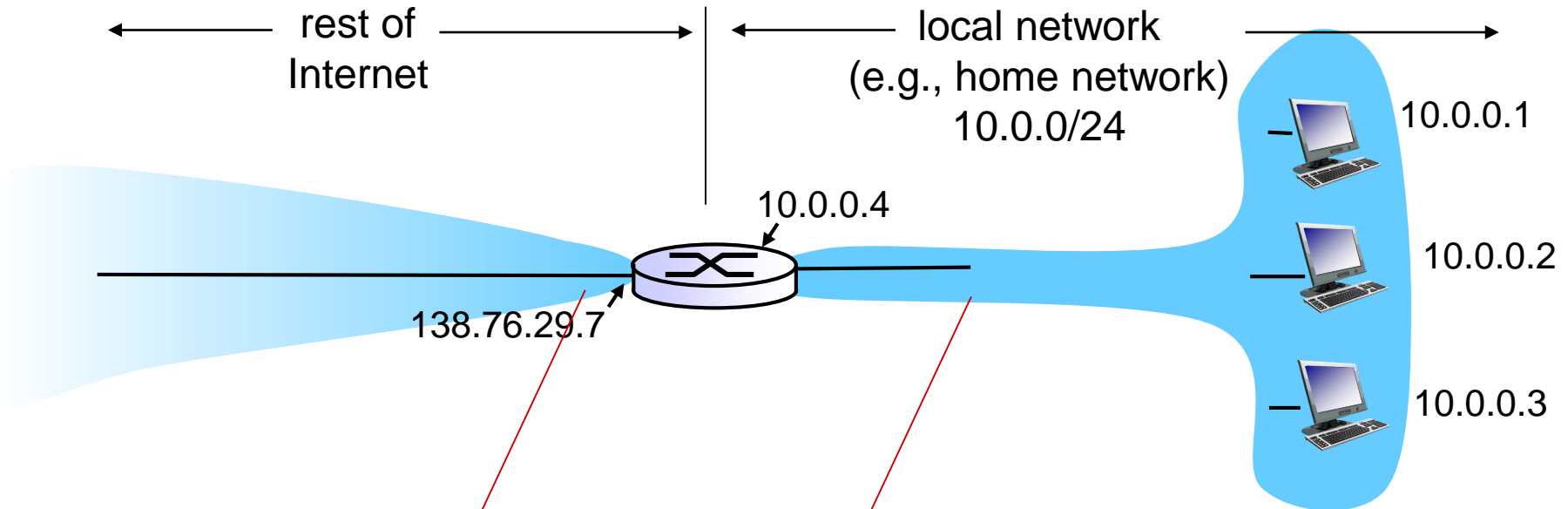
# IP addressing: the last word...

**Q:** how does an ISP get block of addresses?

**A: ICANN:** Internet Corporation for Assigned Names and Numbers <http://www.icann.org/>

- allocates addresses
- manages DNS
- assigns domain names, resolves disputes

# NAT: network address translation



*all* datagrams *leaving* local network have *same* single source NAT IP address: 138.76.29.7, different source port numbers

datagrams with source or destination in this network have 10.0.0/24 address for source, destination (as usual)

# NAT: network address translation

*motivation:* local network uses just one IP address as far as outside world is concerned:

- range of addresses not needed from ISP: just one IP address for all devices
- can change addresses of devices in local network without notifying outside world
- can change ISP without changing addresses of devices in local network
- devices inside local net not explicitly addressable, visible by outside world (a security plus)

# NAT: network address translation

*implementation:* NAT router must:

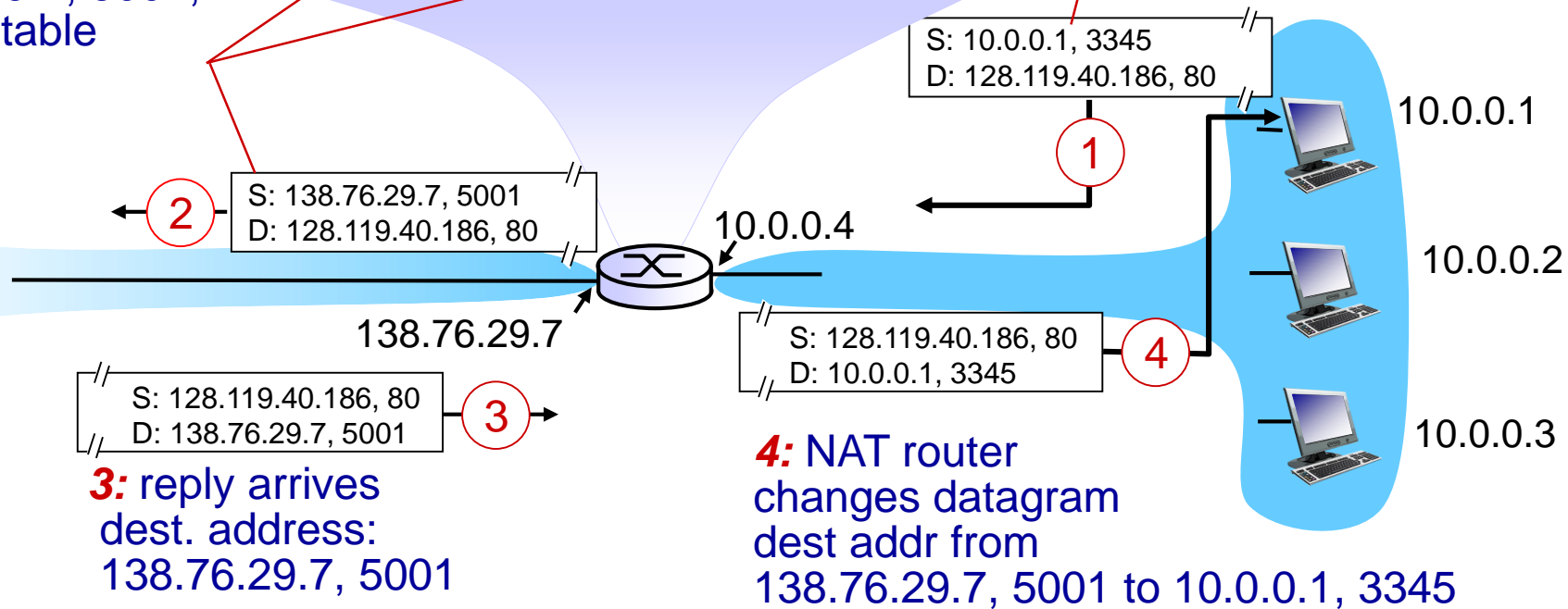
- *outgoing datagrams: replace* (source IP address, port #) of every outgoing datagram to (NAT IP address, new port #)  
... remote clients/servers will respond using (NAT IP address, new port #) as destination addr
- *remember (in NAT translation table)* every (source IP address, port #) to (NAT IP address, new port #) translation pair
- *incoming datagrams: replace* (NAT IP address, new port #) in dest fields of every incoming datagram with corresponding (source IP address, port #) stored in NAT table

# NAT: network address translation

NAT translation table	
WAN side addr	LAN side addr
138.76.29.7, 5001	10.0.0.1, 3345
.....	.....

**2:** NAT router changes datagram source addr from 10.0.0.1, 3345 to 138.76.29.7, 5001, updates table

**1:** host 10.0.0.1 sends datagram to 128.119.40.186, 80



**3:** reply arrives  
dest. address:  
138.76.29.7, 5001

**4:** NAT router changes datagram dest addr from 138.76.29.7, 5001 to 10.0.0.1, 3345

\* Check out the online interactive exercises for more examples: [http://gaia.cs.umass.edu/kurose\\_ross/interactive/](http://gaia.cs.umass.edu/kurose_ross/interactive/)

# NAT: network address translation

- 16-bit port-number field:
  - 60,000 simultaneous connections with a single LAN-side address!
- NAT is controversial:
  - routers should only process up to layer 3
  - address shortage should be solved by IPv6
  - violates end-to-end argument
    - NAT possibility must be taken into account by app designers, e.g., P2P applications
  - NAT traversal: what if client wants to connect to server behind NAT?



# Chapter 4: outline

## 4.1 Overview of Network layer

- data plane
- control plane

## 4.2 What's inside a router

## 4.3 IP: Internet Protocol

- datagram format
- fragmentation
- IPv4 addressing
- network address translation
- IPv6

## 4.4 Generalized Forward and SDN

- match
- action
- OpenFlow examples of match-plus-action in action

# IPv6: motivation

- *initial motivation*: 32-bit address space soon to be completely allocated.
- additional motivation:
  - header format helps speed processing/forwarding
  - header changes to facilitate QoS

## *IPv6 datagram format:*

- fixed-length 40 byte header
- no fragmentation allowed

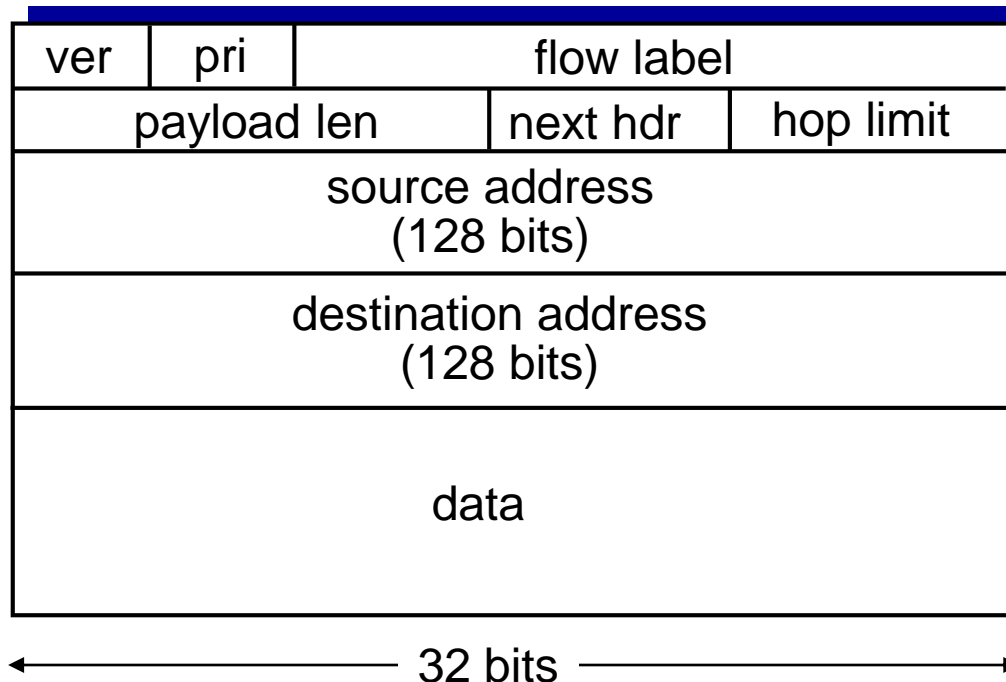
# IPv6 datagram format

*priority*: identify priority among datagrams in flow

*flow Label*: identify datagrams in same “flow.”

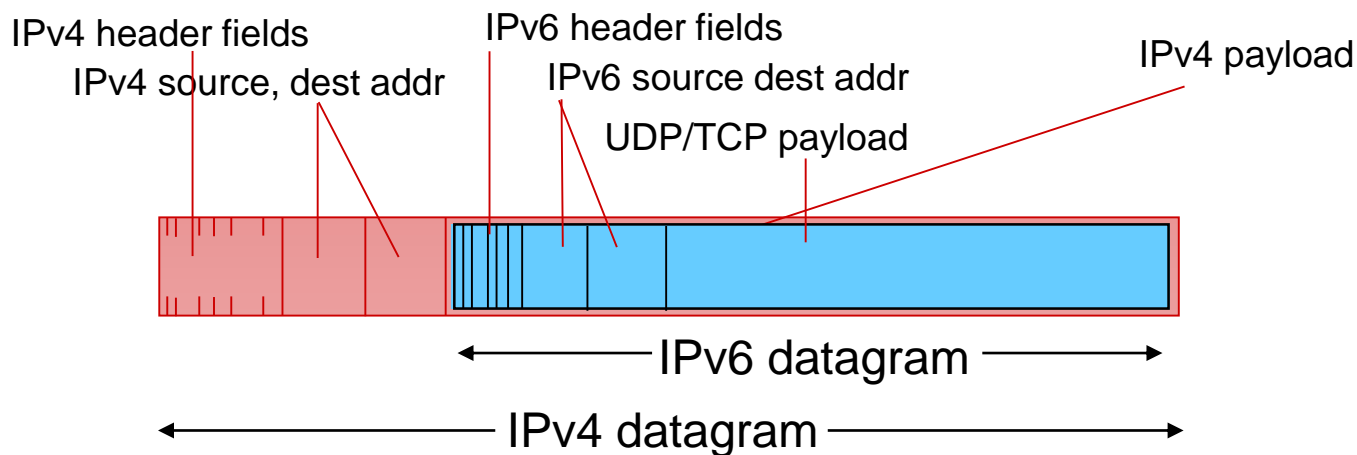
(concept of “flow” not well defined).

*next header*: identify upper layer protocol for data



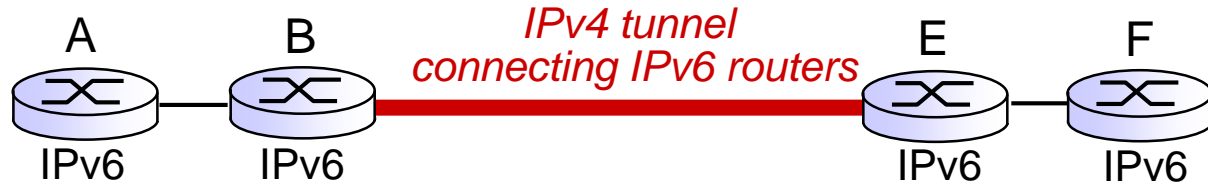
# Transition from IPv4 to IPv6

- not all routers can be upgraded simultaneously
  - no “flag days”
  - how will network operate with mixed IPv4 and IPv6 routers?
- **tunneling**: IPv6 datagram carried as *payload* in IPv4 datagram among IPv4 routers

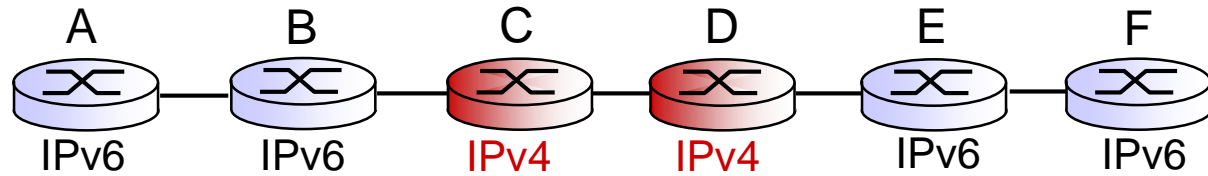


# Tunneling

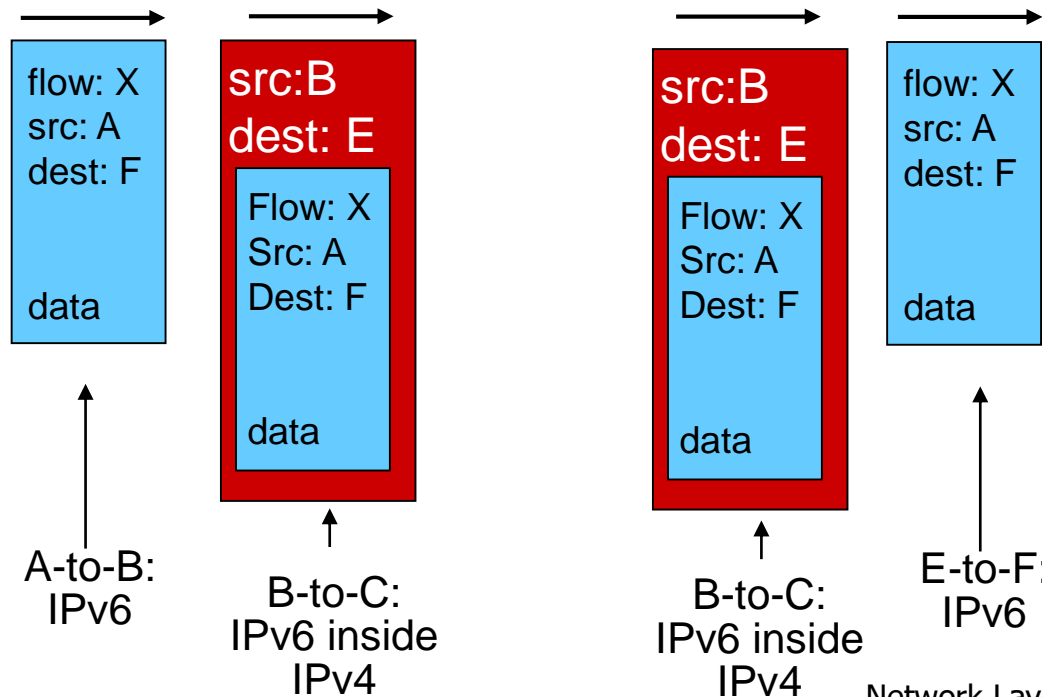
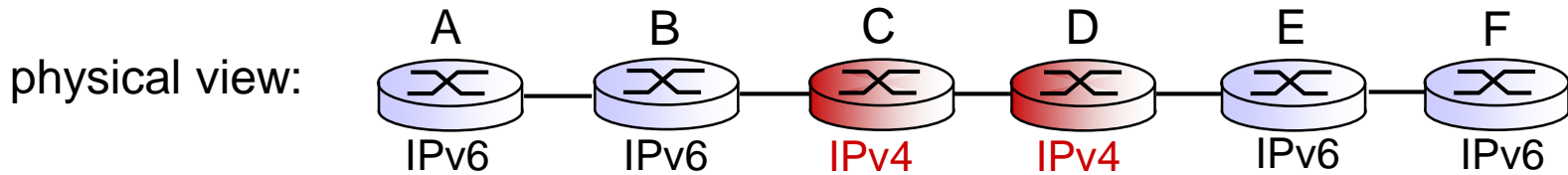
logical view:



physical view:



# Tunneling



# IPv6: adoption

- Google: 8% of clients access services via IPv6
- NIST: 1/3 of all US government domains are IPv6 capable
- *Long (long!) time for deployment, use*
  - 20 years and counting!
  - think of application-level changes in last 20 years: WWW, Facebook, streaming media, Skype, ...
  - *Why?*

# Chapter 4: outline

## 4.1 Overview of Network layer

- data plane
- control plane

## 4.2 What's inside a router

## 4.3 IP: Internet Protocol

- datagram format
- fragmentation
- IPv4 addressing
- network address translation
- IPv6

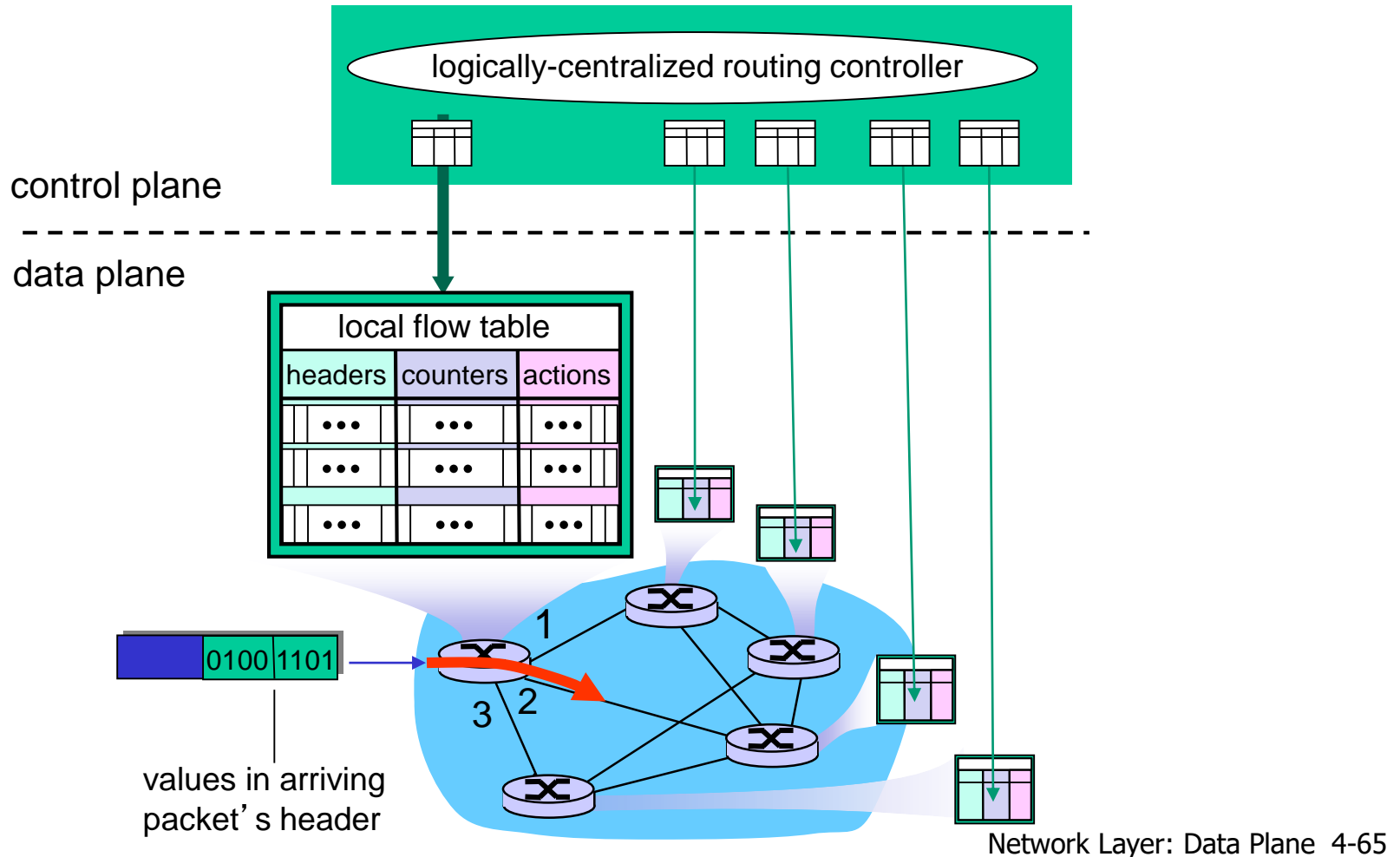
## 4.4 Generalized Forward and SDN

- match
- action
- OpenFlow examples of match-plus-action in action



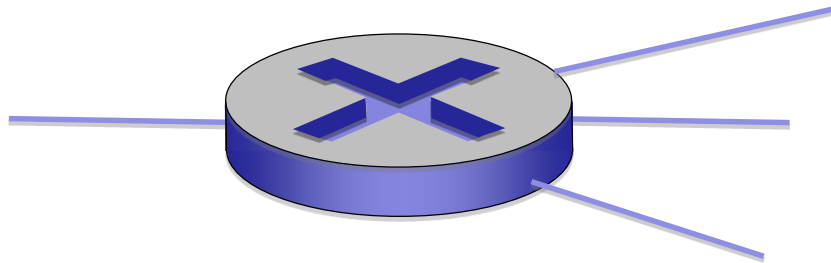
# Generalized Forwarding and SDN

Each router contains a *flow table* that is computed and distributed by a *logically centralized routing controller*



# OpenFlow data plane abstraction

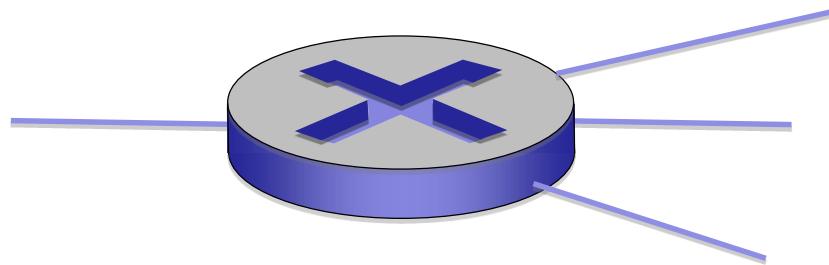
- *flow*: defined by header fields
- generalized forwarding: simple packet-handling rules
  - *Pattern*: match values in packet header fields
  - *Actions: for matched packet*: drop, forward, modify, matched packet or send matched packet to controller
  - *Priority*: disambiguate overlapping patterns
  - *Counters*: #bytes and #packets



*Flow table in a router (computed and distributed by controller) define router's match+action rules*

# OpenFlow data plane abstraction

- *flow*: defined by header fields
- generalized forwarding: simple packet-handling rules
  - *Pattern*: match values in packet header fields
  - *Actions: for matched packet*: drop, forward, modify, matched packet or send matched packet to controller
  - *Priority*: disambiguate overlapping patterns
  - *Counters*: #bytes and #packets



\* : wildcard

1. src=1.2.\*.\* , dest=3.4.5.\* → drop
2. src = \*.\*.\*.\* , dest=3.4.\*.\* → forward(2)
3. src=10.1.2.3, dest=\*.\*.\*.\* → send to controller

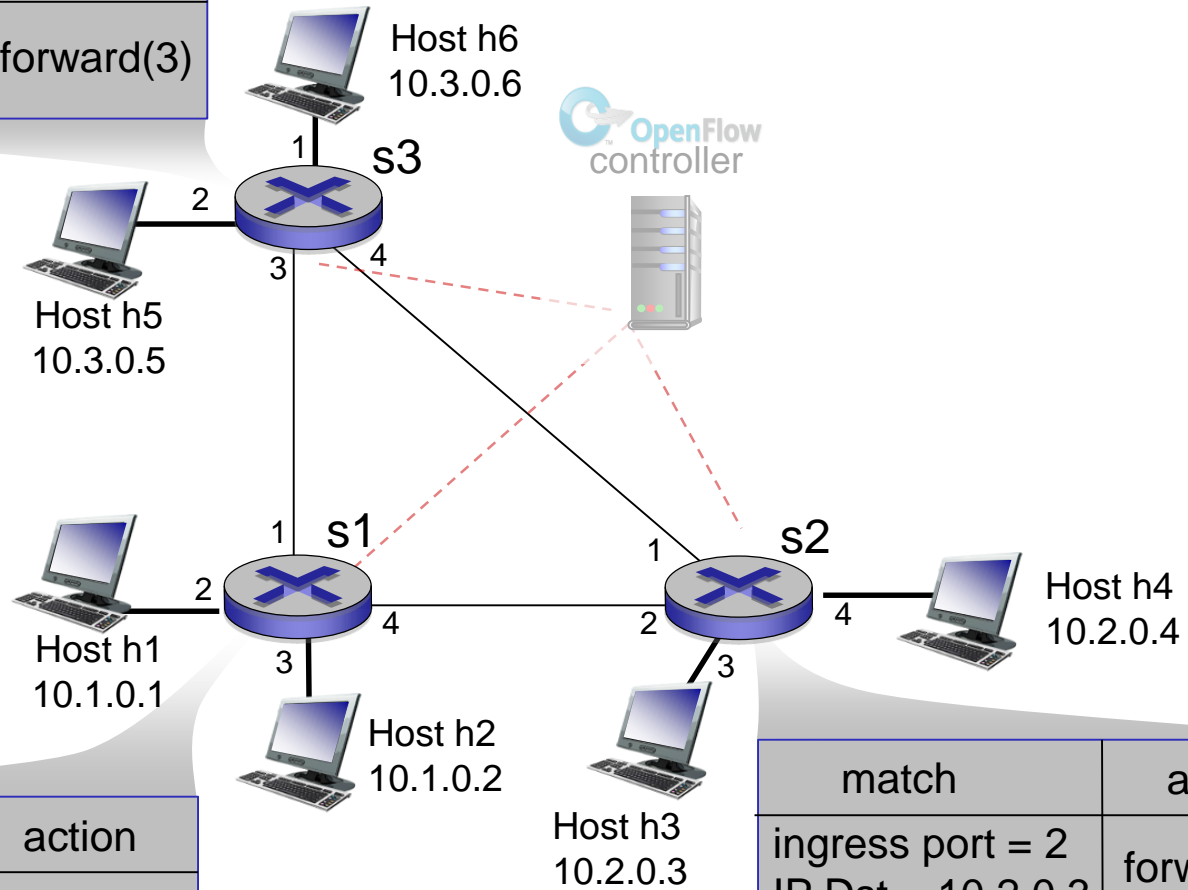
# OpenFlow abstraction

- *match+action*: unifies different kinds of devices
- Router
  - *match*: longest destination IP prefix
  - *action*: forward out a link
- Switch
  - *match*: destination MAC address
  - *action*: forward or flood
- Firewall
  - *match*: IP addresses and TCP/UDP port numbers
  - *action*: permit or deny
- NAT
  - *match*: IP address and port
  - *action*: rewrite address and port

# OpenFlow example

*Example:* datagrams from hosts h5 and h6 should be sent to h3 or h4, via s1 and from there to s2

match	action
IP Src = 10.3.*.* IP Dst = 10.2.*.*	forward(3)



match	action
ingress port = 1 IP Src = 10.3.*.* IP Dst = 10.2.*.*	forward(4)

match	action
ingress port = 2 IP Dst = 10.2.0.3	forward(3)
ingress port = 2 IP Dst = 10.2.0.4	forward(4)

# Chapter 4: done!

4.1 Overview of Network layer: data plane and control plane

4.2 What's inside a router

4.3 IP: Internet Protocol

- datagram format
- fragmentation
- IPv4 addressing
- NAT
- IPv6

4.4 Generalized Forward and SDN

- match plus action
- OpenFlow example

*Question:* how do forwarding tables (destination-based forwarding) or flow tables (generalized forwarding) computed?

*Answer:* by the control plane (next chapter)